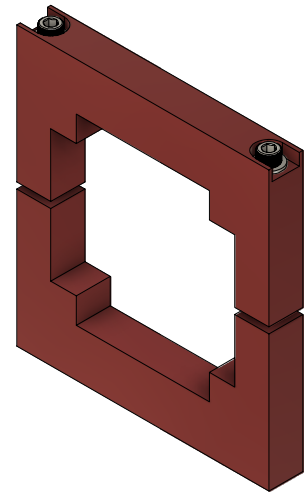
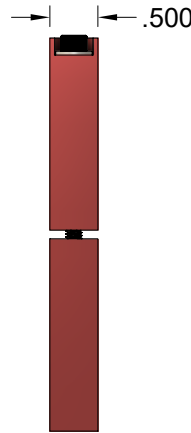
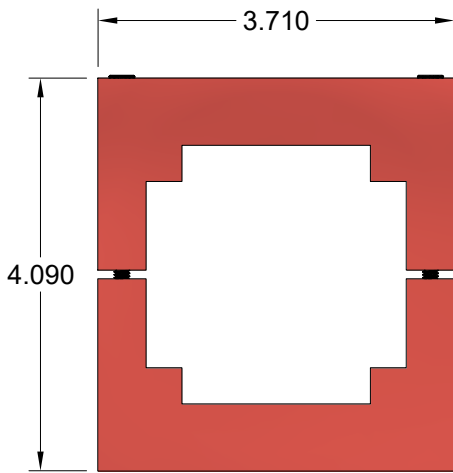
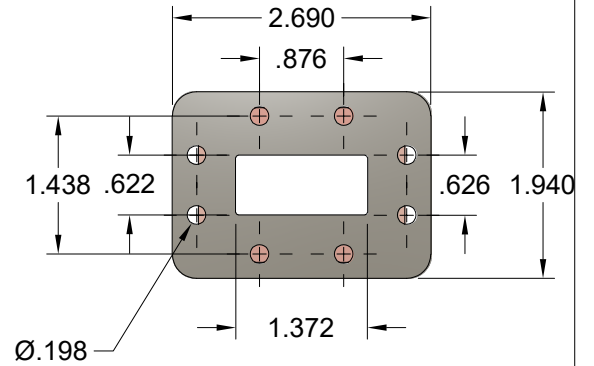
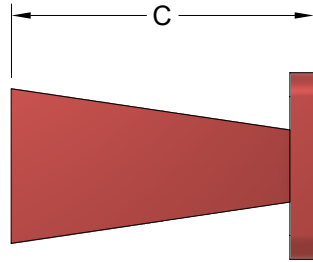
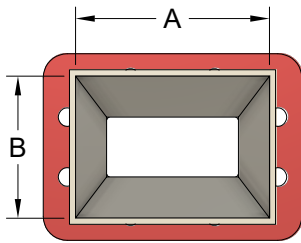
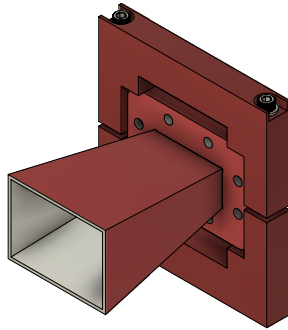




REVISION HISTORY

REV	DESCRIPTION	DATE	APPROVED
A	INITIAL RELEASE	8/3/2022	DA



WR137 10dB GAIN HORN ANTENNA							
WG SIZE	FREQ. (GHz)	GAIN (dB)	3dB Beam Width (E-Plane)	3dB Beam Width (H-Plane)	Dim. A (in)	Dim. B (in)	Dim. C (in)
WR137	5.85-8.2	10	55.1°	54.2°	2.02	1.48	3.15

THIRD ANGLE PROJECTION:  UNLESS OTHERWISE NOTED, DIMENSIONS ARE IN INCHES, TOLERANCES ARE: FRACTIONS: ±1/64 ANGLES: ±1/2° MACHINED FINISH: 63 OR BETTER	APPROVALS	DATE	 DRAWING WR137 10DB GAIN HORN OUTLINE			
	DRAWN Dirk Aubram	8/3/22				
	CHCKD.					
	APRVD.					
DECIMALS 2 PLACE      3 PLACE	MATERIAL ALUMINUM	SIZE	CAGE CODE	ITIT DRAWING#	REVISION	
±.03      ±.005	TREATMENT CHEMFILM	1:2	6CDA9	OTL137-10-ITI	A	
	FINISH RED		MODEL#	SGH137-10-ITI	SHEET 1/1	