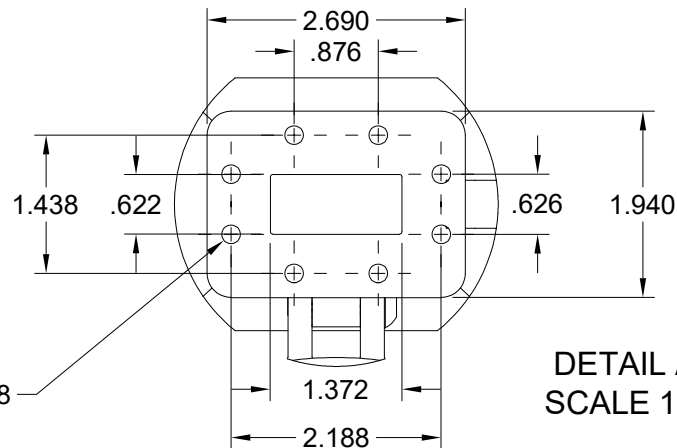
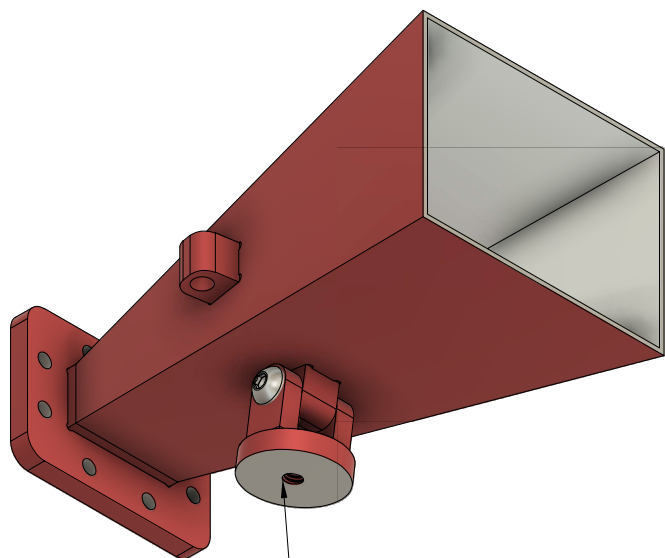
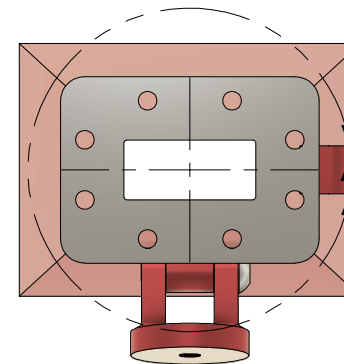
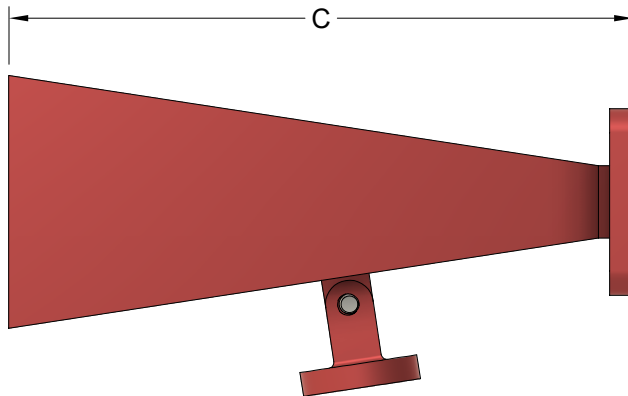
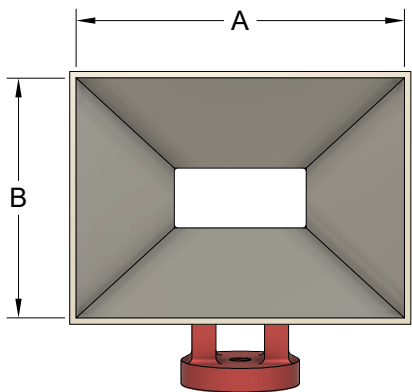


REVISION HISTORY

REV	DESCRIPTION	DATE	APPROVED
A	INITIAL RELEASE	8/3/2022	DA



DETAIL A
SCALE 1:2

WR137 15dB GAIN HORN ANTENNA							
WG SIZE	FREQ. (GHz)	GAIN (dB)	3dB Beam Width (E-Plane)	3dB Beam Width (H-Plane)	Dim. A (in)	Dim. B (in)	Dim. C (in)
WR137	5.85-8.2	15	33.7°	33.2°	3.42	2.5	6.51

THIRD ANGLE PROJECTION:		APPROVALS		DATE			
UNLESS OTHERWISE NOTED, DIMENSIONS ARE IN INCHES, TOLERANCES ARE:		DRAWN Dirk Aubram		8/3/22			
FRACTIONS: ±1/64 ANGLES: ±1/2° MACHINED FINISH: 63 OR BETTER		CHCKD.				DRAWING WR137 15DB GAIN HORN, OUTLINE	
DECIMALS		MATERIAL ALUMINUM		SIZE CAGE CODE ITT DRAWING#			
2 PLACE		TREATMENT CHEMFILM		6CDA9		OTL137-15-ITI	
3 PLACE		FINISH RED		SCALE 1:3		MODEL#	
±.03						SGH137-15-ITI	
±.005						A SHEET 1/1	