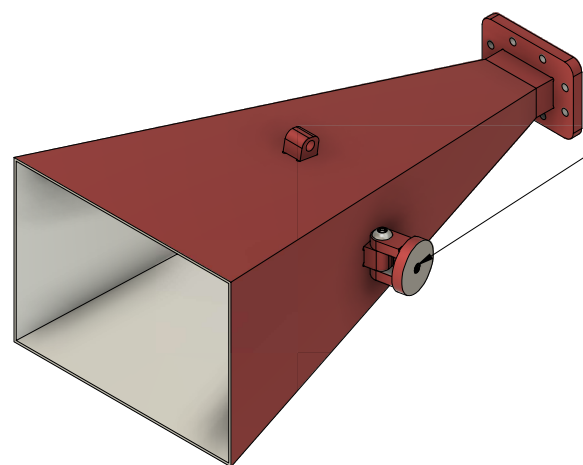
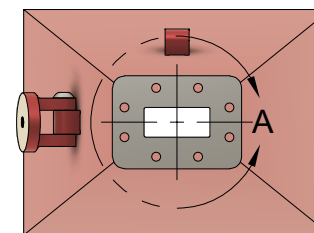
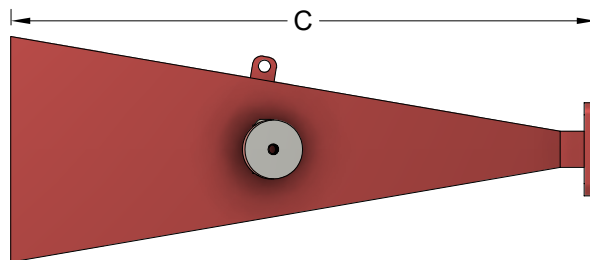
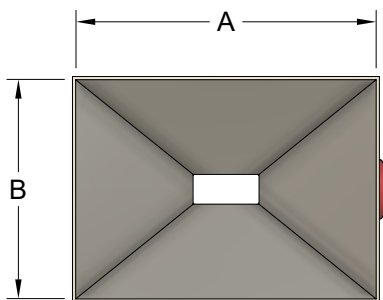




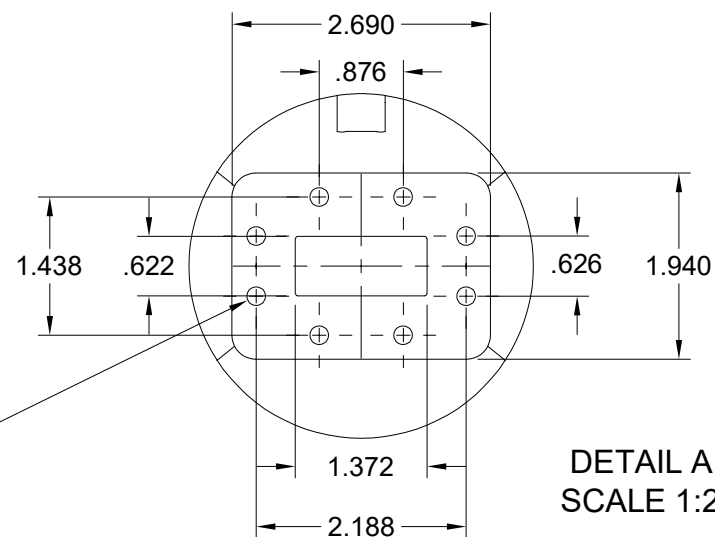
### REVISION HISTORY

REV	DESCRIPTION	DATE	APPROVED
A	INITIAL RELEASE	8/3/2022	DA



1/4-20 UNC - 2B THRU  
FOR TRIPOD MOUNTING

Ø.198 THRU  
8 PLCS.



DETAIL A  
SCALE 1:2

### WR137 20dB GAIN HORN ANTENNA

WG SIZE	FREQ. (GHz)	GAIN (dB)	3dB Beam Width (E-Plane)	3dB Beam Width (H-Plane)	Dim. A (in)	Dim. B (in)	Dim. C (in)
WR137	5.85-8.2	20	18.7°	18.8°	6.26	4.57	12.19

THIRD ANGLE PROJECTION:

UNLESS OTHERWISE NOTED, DIMENSIONS ARE IN INCHES, TOLERANCES ARE:

FRACTIONS: ±1/64 ANGLES: ±1/2°  
MACHINED FINISH: 63 OR BETTER

DECIMALS

2 PLACE      3 PLACE

±.03

±.005

APPROVALS

DATE

DRAWN Dirk Aubram

8/3/22

CHCKD.

APRVD.

MATERIAL ALUMINUM 6061

TREATMENT CHEMFILM

FINISH RED



DRAWING

WR137 20DB GAIN HORN OUTLINE

SIZE CAGE CODE ITT DRAWING#

6CDA9

OTL137-20-ITI

SCALE

1:5

MODEL#

SGH137-20-ITI

REVISION

A

SHEET

1/1

