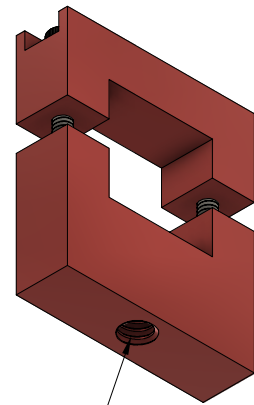
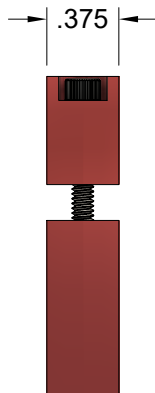
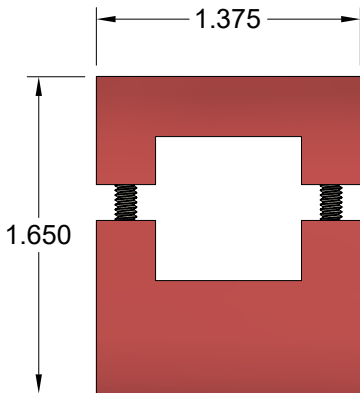
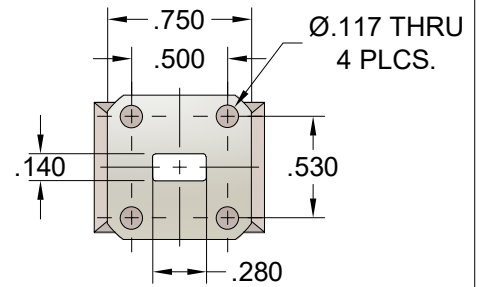
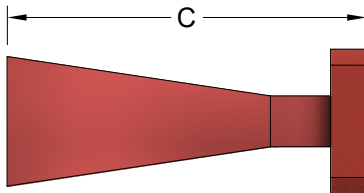
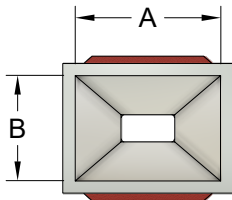
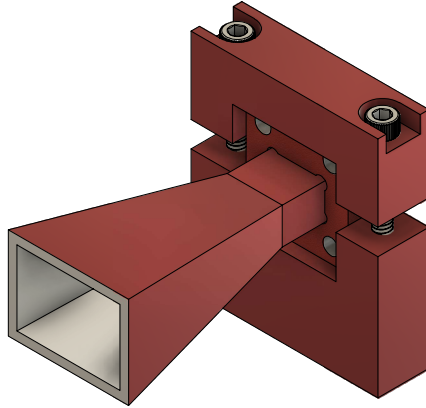


REVISION HISTORY

REV	DESCRIPTION	DATE	APPROVED
A	INITIAL RELEASE	7/27/2022	DA



1/4-20 UNC - 2B, ∇ 0.250
FOR TRIPOD MOUNTING

WR28 15dB GAIN HORN ANTENNA

WG SIZE	FREQ. (GHz)	GAIN (dB)	3dB Beam Width (E-Plane)	3dB Beam Width (H-Plane)	Dim A (in)	Dim B (in)	Dim C (in)
WR28	28.5-40	15	32.1°	31.3°	0.76	0.55	1.87

THIRD ANGLE PROJECTION:

UNLESS OTHERWISE NOTED, DIMENSIONS ARE IN INCHES, TOLERANCES ARE:
FRACTIONS: $\pm 1/64$ ANGLES: $\pm 1/2^\circ$
MACHINED FINISH: 63 OR BETTER

DECIMALS	
2 PLACE	3 PLACE
$\pm .03$	$\pm .005$

APPROVALS	DATE
DRAWN Dirk Aubram	7/27/22
CHCKD.	
APRVD.	
MATERIAL ALUMINUM	
TREATMENT CHEMFILM	
FINISH PAINT, RED	

		DRAWING WR28 15DB HORN ANTENNA		REVISION
				A
SIZE	CAGE CODE	ITTT DRAWING#	MODEL#	SHEET
	6CDA9	28-15-ITI	SGH28-15-ITI	1/1