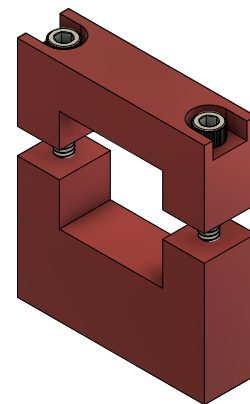
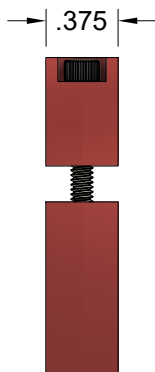
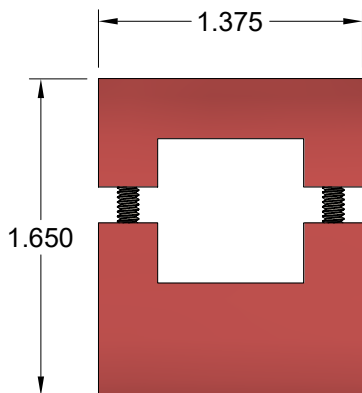
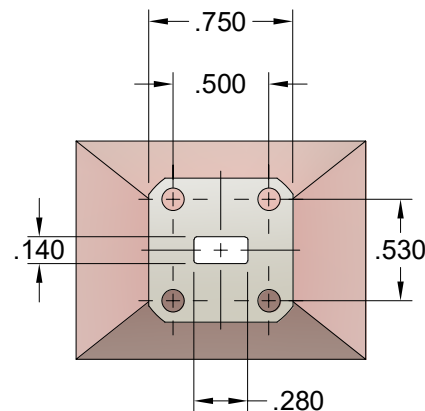
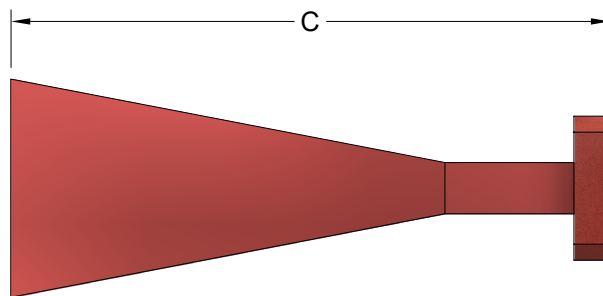
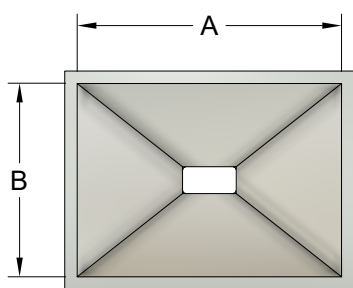
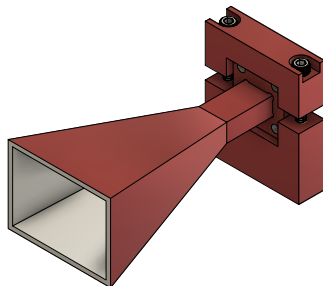




REVISION HISTORY

REV	DESCRIPTION	DATE	APPROVED
A	INITIAL RELEASE	7/28/2022	DA



1/4-20 UNC - 2B  
▽0.375

WR28 20dB GAIN HORN ANTENNA							
WG SIZE	FREQ. (GHz)	GAIN (dB)	3dB Beam Width (E-Plane)	3dB Beam Width (H-Plane)	Dim. A (in)	Dim. B (in)	Dim. C (in)
WR28	26.5-40	20	16.7°	18.3°	1.38	1.01	3.12

THIRD ANGLE PROJECTION:   UNLESS OTHERWISE NOTED, DIMENSIONS ARE IN INCHES, TOLERANCES ARE:  FRACTIONS: ±1/64 ANGLES: ±1/2° MACHINED FINISH: 63 OR BETTER	APPROVALS	DATE	  DRAWING WR28 20DB HORN ANTENNA OUTLINE			
	DRAWN Dirk Aubram	7/28/22				
	CHCKD.		SIZE	CAGE CODE	ITTI DRAWING#	REVISION
	APRVD.		6CDA9		OTL28-20-ITI	A
DECIMALS	MATERIAL		SCALE	MODEL#	SHEET	
2 PLACE	ALUMINUM	1:1		SGH28-20-ITI	1/1	
3 PLACE	TREATMENT					
±.03	CHEMFILM					
±.005	FINISH	RED				