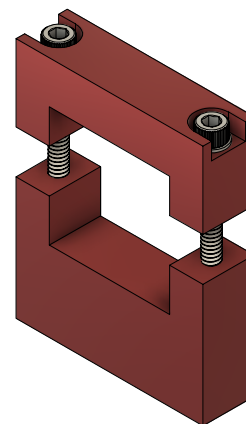
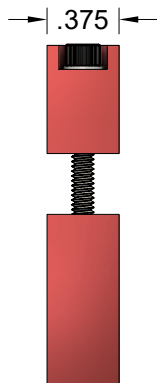
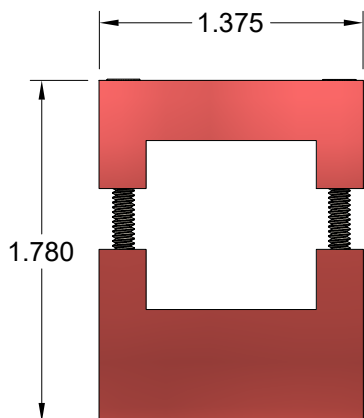
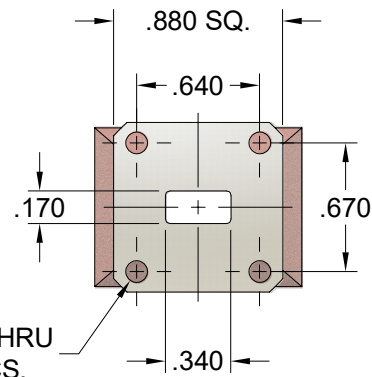
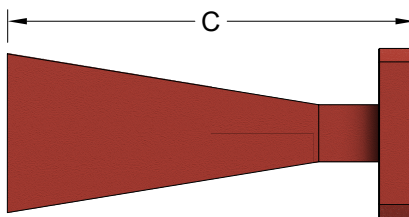
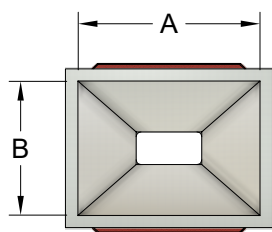
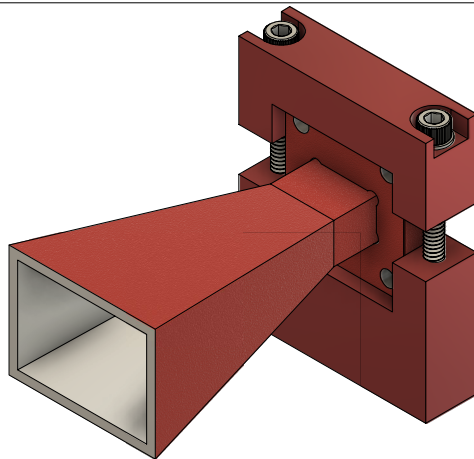


REVISION HISTORY

REV	DESCRIPTION	DATE	APPROVED
A	INITIAL RELEASE	7/28/2022	DA



1/4-20 UNC - 2B
 ∇ 0.300

WR34 15dB GAIN HORN ANTENNA							
WG SIZE	FREQ. (GHz)	GAIN (dB)	3dB Beam Width (E-Plane)	3dB Beam Width (H-Plane)	Dim. A (in)	Dim. B (in)	Dim. C (in)
WR34	22.0-33.0	15	23.1°	40.8°	0.95	0.7	2.12

THIRD ANGLE PROJECTION: UNLESS OTHERWISE NOTED, DIMENSIONS ARE IN INCHES, TOLERANCES ARE: FRACTIONS: ±1/64 ANGLES: ±1/2° MACHINED FINISH: 63 OR BETTER	APPROVALS	DATE	 DRAWING WR34 15dB Horn Antenna, OUTLINE		REVISION		
	DRAWN Dirk Aubram	7/28/22			SIZE	CAGE CODE/ITIT DRAWING#	A
	CHCKD.				SCALE	MODEL#	SHEET
	APRVD.				1:1		1/1
DECIMALS	MATERIAL ALUMINUM		6CDA9	OTL34-15-ITI			
2 PLACE	TREATMENT CHEMFILM			SGH34-15-ITI			
3 PLACE	FINISH RED						
±.03							
±.005							