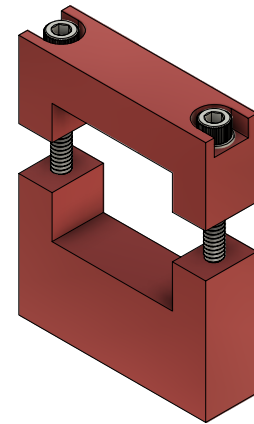
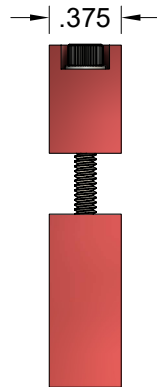
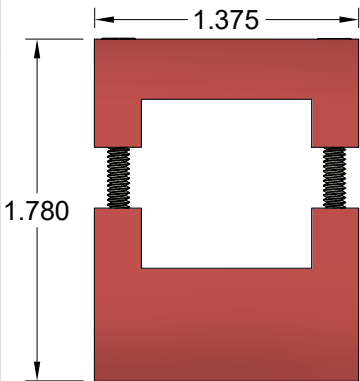
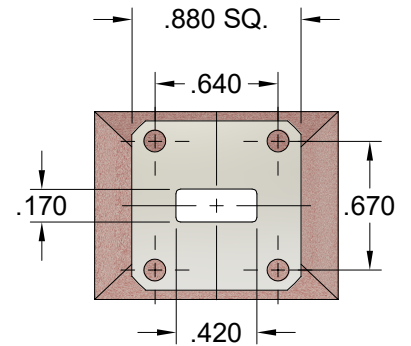
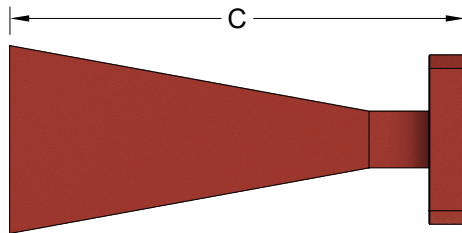
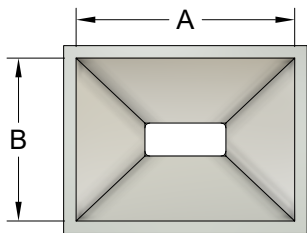
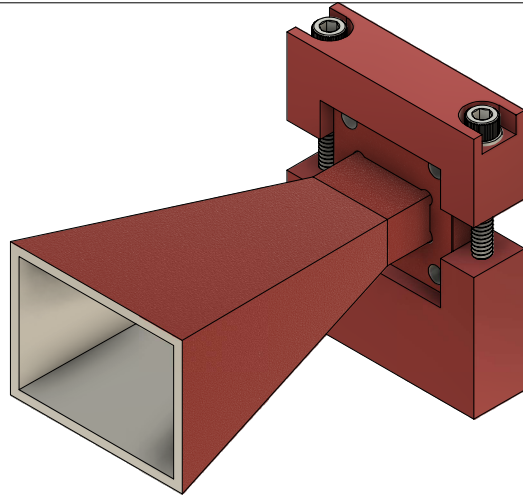


REVISION HISTORY

REV	DESCRIPTION	DATE	APPROVED
A	INITIAL RELEASE	7/28/2022	DA



1/4-20 UNC - 2B
 √0.300

WR42 15dB GAIN HORN ANTENNA							
WG SIZE	FREQ. (GHz)	GAIN (dB)	3dB Beam Width (E-Plane)	3dB Beam Width (H-Plane)	Dim. A (in)	Dim. B (in)	Dim. C (in)
WR42	18-26.5	15	31.3°	31.5°	1.14	0.85	2.37

THIRD ANGLE PROJECTION:	UNLESS OTHERWISE NOTED, DIMENSIONS ARE IN INCHES, TOLERANCES ARE: FRACTIONS: ±1/64 ANGLES: ±1/2° MACHINED FINISH: 63 OR BETTER	APPROVALS	DATE		DRAWING WR42 15DB HORN ANTENNA, OUTLINE	SIZE CAGE CODE ITI DRAWING# 6CDA9 OTL42-15-ITI	REVISION A SHEET 1/1
		DRAWN Dirk Aubram	7/28/22				
		CHCKD.					
		APRVD.					
DECIMALS 2 PLACE 3 PLACE		MATERIAL ALUMINUM		SCALE 1:1	MODEL# SGH42-15-ITI		
±.03 ±.005		TREATMENT CHEMFILM					
		FINISH RED					