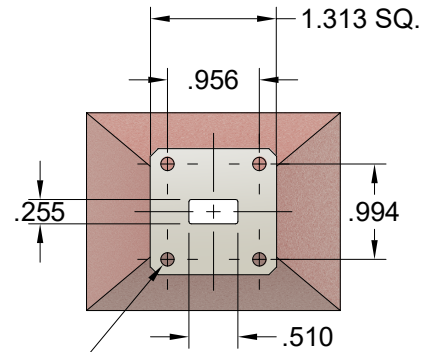
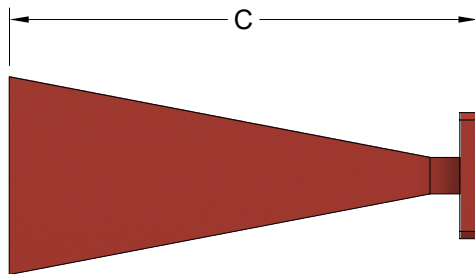
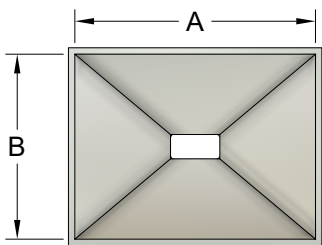
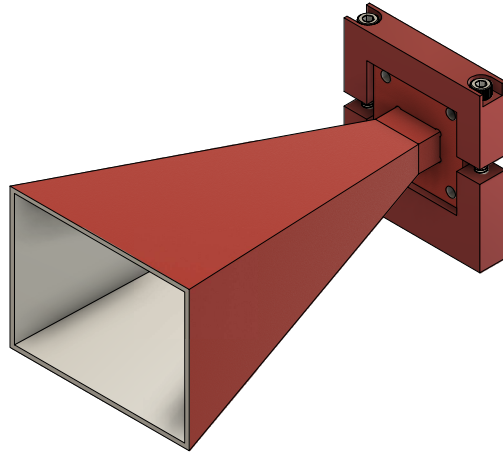
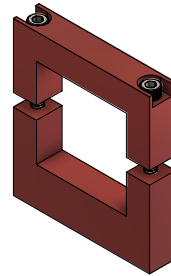
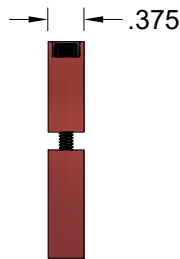
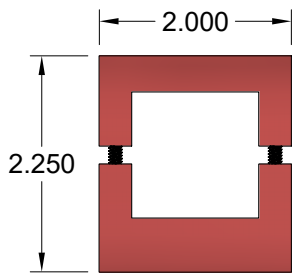


REVISION HISTORY

REV	DESCRIPTION	DATE	APPROVED
A	INITIAL RELEASE	7/28/2022	DA



Ø.144 THRU
4 PLCS.



1/4-20 UNC - 2B
∇0.375

WR51 20dB GAIN HORN ANTENNA							
WG SIZE	FREQ. (GHz)	GAIN (dB)	3dB Beam Width (E-Plane)	3dB Beam Width (H-Plane)	Dim. A (in)	Dim. B (in)	Dim. C (in)
WR51	15-22	20	16.9°	18.0°	2.51	1.93	4.88

THIRD ANGLE PROJECTION:	UNLESS OTHERWISE NOTED, DIMENSIONS ARE IN INCHES, TOLERANCES ARE: FRACTIONS: ±1/64 ANGLES: ±1/2° MACHINED FINISH: 63 OR BETTER	APPROVALS	DATE				
		DRAWN Dirk Aubram	7/28/22				
		CHCKD.		DRAWING WR51 20DB HORN ANTENNA OUTLINE			
		APRVD.					
DECIMALS		MATERIAL	ALUMINUM	SIZE	CAGE CODE	ITTI DRAWING#	REVISION
2 PLACE	3 PLACE	TREATMENT	CHEMFILM	6CDA9		OTL51-20-ITI	A
±.03	±.005	FINISH	RED	SCALE	MODEL#	SGH51-20-ITI	SHEET 1/1