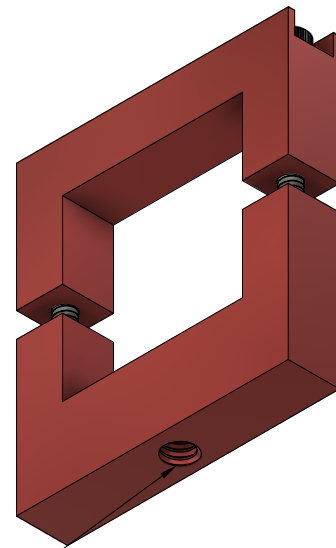
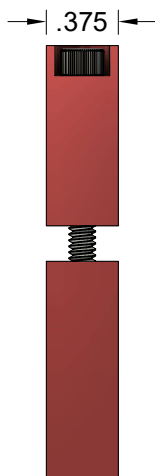
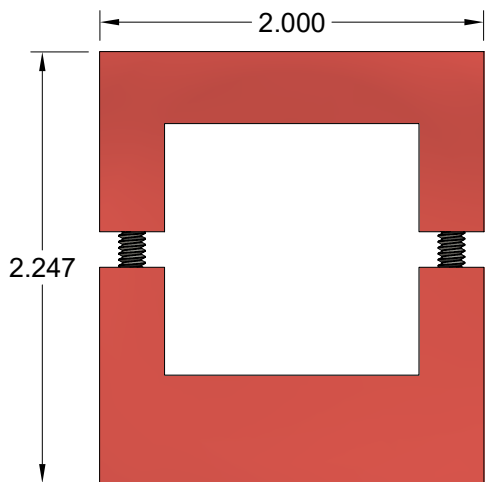
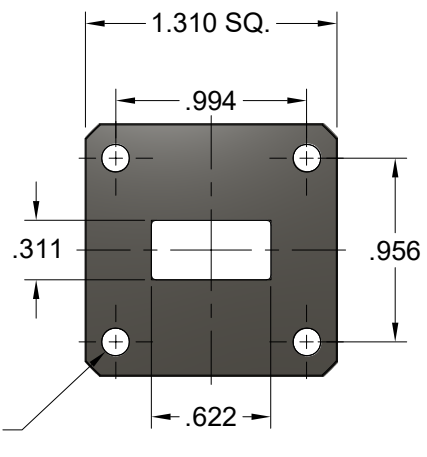
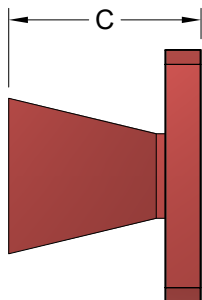
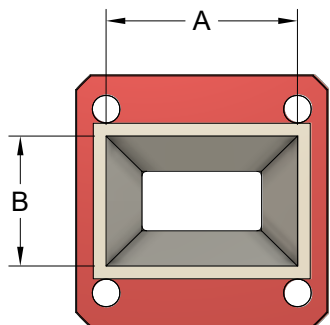
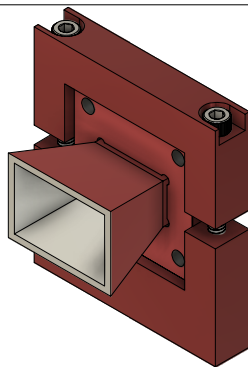


REVISION HISTORY

| REV | DESCRIPTION     | DATE      | APPROVED |
|-----|-----------------|-----------|----------|
| A   | INITIAL RELEASE | 7/29/2022 | DA       |



1/4-20 UNC - 2B  
∇ 0.375

| WR62 10dB GAIN HORN ANTENNA |             |           |                          |                          |             |             |             |
|-----------------------------|-------------|-----------|--------------------------|--------------------------|-------------|-------------|-------------|
| WG SIZE                     | FREQ. (GHz) | GAIN (dB) | 3dB Beam Width (E-Plane) | 3dB Beam Width (H-Plane) | Dim. A (in) | Dim. B (in) | Dim. C (in) |
| WR62                        | 12.4-18.0   | 10        | 55.3                     | 50.9                     | 1.00        | 0.68        | 1.00        |

|   |         |
|---|---------|
| THIRD ANGLE PROJECTION:   |         |
| UNLESS OTHERWISE NOTED, DIMENSIONS ARE IN INCHES, TOLERANCES ARE: |         |
| FRACTIONS: ±1/64 ANGLES: ±1/2° MACHINED FINISH: 63 OR BETTER      |         |
| DECIMALS  |         |
| 2 PLACE   | 3 PLACE |
| ±.03  | ±.005   |

|                    |         |
|--------------------|---------|
| APPROVALS          | DATE    |
| DRAWN Dirk Aubram  | 7/29/22 |
| CHCKD.             |         |
| APRVD.             |         |
| MATERIAL ALUMINUM  |         |
| TREATMENT CHEMFILM |         |
| FINISH RED         |         |

|                                 |                        |          |
|---------------------------------|------------------------|----------|
|                                 |                        |          |
| DRAWING                         |                        |          |
| WR62 10dB HORN ANTENNA, OUTLINE |                        |          |
| SIZE                            | CAGE CODE/ITI DRAWING# | REVISION |
| 6CDA9                           | OTL62-10-ITI           | A        |
| SCALE                           | MODEL#                 | SHEET    |
| 1:1                             | SGH62-10-ITI           | 1/1      |