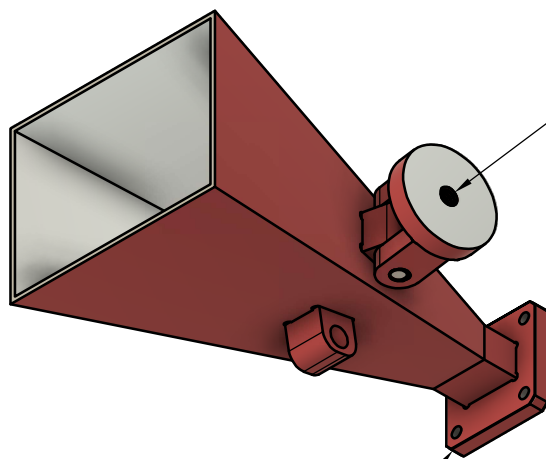
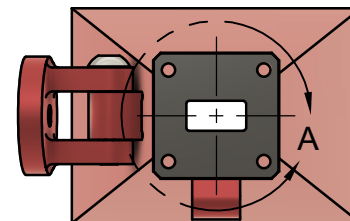
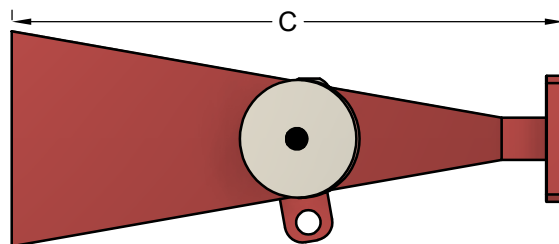
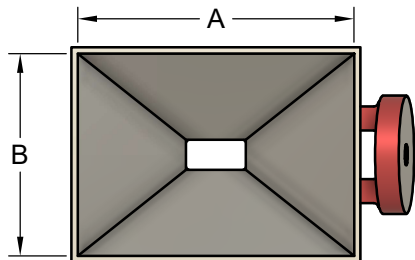




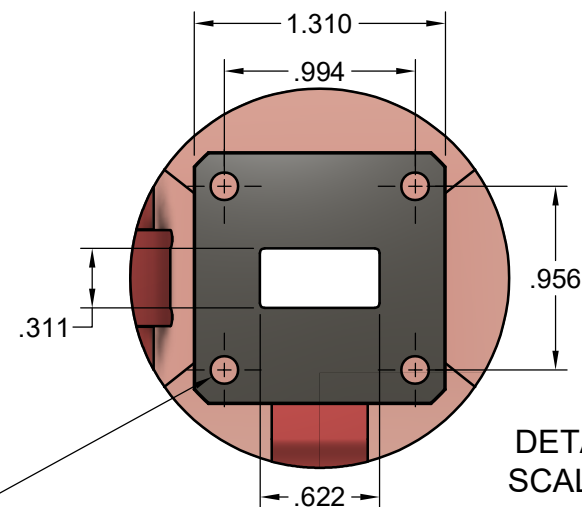
REVISION HISTORY

REV	DESCRIPTION	DATE	APPROVED
A	INITIAL RELEASE	7/29/2022	DA
B	ADDED FLANGE NAMING	9/19/2022	DA
C	REVISED MODEL# AND DWG#	9/29/2022	DA



1/4-20 UNC - 2B THRU
FOR TRIPOD MOUNTING

COVER FLANGE, UG 1665/U EQUIV.



4x Ø.144 Thru

WR62 20dB GAIN HORN ANTENNA							
WG SIZE	FREQ. (GHz)	GAIN (dB)	3dB Beam Width (E-Plane)	3dB Beam Width (H-Plane)	Dim. A (in)	Dim. B (in)	Dim. C (in)
WR62	12.4-18	20	18.8°	18.9°	2.88	2.11	5.75

THIRD ANGLE PROJECTION:		APPROVALS		DATE				
UNLESS OTHERWISE NOTED, DIMENSIONS ARE IN INCHES, TOLERANCES ARE: FRACTIONS: ±1/64 ANGLES: ±1/2° MACHINED FINISH: 63 OR BETTER		DRAWN Dirk Aubram		7/29/22				DRAWING WR62 20dB HORN ANTENNA OUTLINE
		CHECKD.						
		APRVD.				MATERIAL ALUMINUM		SIZE 6CDA9
DECIMALS		TREATMENT CHEMFILM		FINISH RED		SCALE 1:4	MODEL# SGH62-20-ITI	SHEET 1/1
2 PLACE	3 PLACE							
±.03	±.005							

