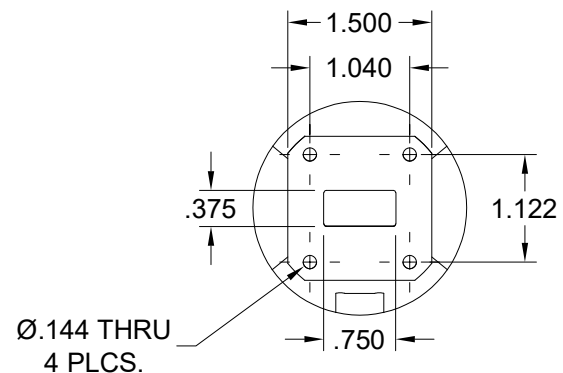
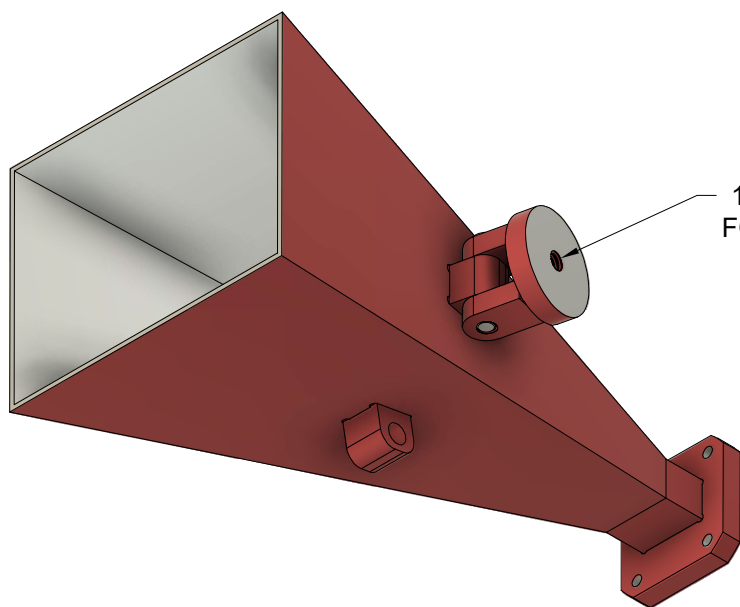
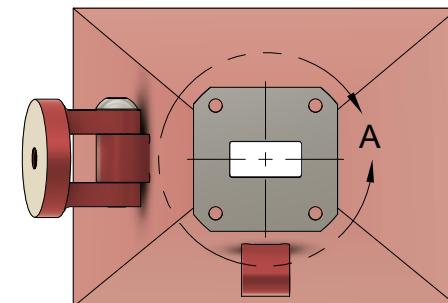
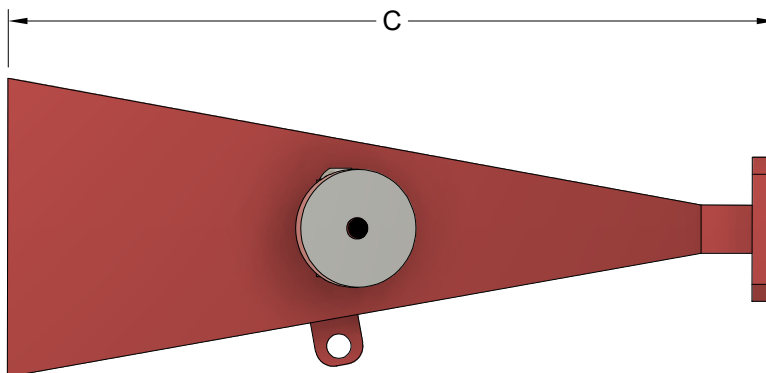
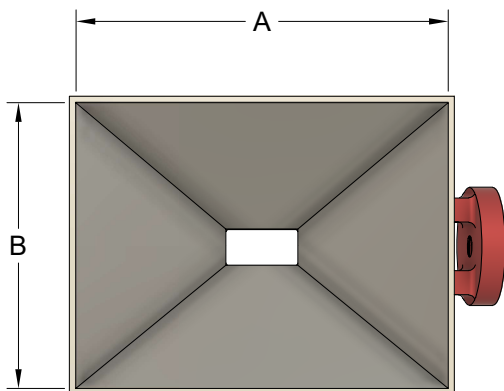




REVISION HISTORY

| REV | DESCRIPTION     | DATE      | APPROVED |
|-----|-----------------|-----------|----------|
| A   | INITIAL RELEASE | 7/29/2022 | DA       |



DETAIL A  
SCALE 1:2

| WR75 20dB GAIN HORN ANTENNA |             |           |                          |                          |             |             |             |
|-----------------------------|-------------|-----------|--------------------------|--------------------------|-------------|-------------|-------------|
| WG SIZE                     | FREQ. (GHz) | GAIN (dB) | 3dB Beam Width (E-Plane) | 3dB Beam Width (H-Plane) | Dim. A (in) | Dim. B (in) | Dim. C (in) |
| WR75                        | 10-15       | 20        | 16.3°                    | 17.2°                    | 3.88        | 2.98        | 8.00        |

|  |  |                   |  |                    |  |                |  |  |  |
|--|--|-------------------|--|--------------------|--|----------------|--|--|--|
| THIRD ANGLE PROJECTION:  |  | APPROVALS         |  | DATE               |  |                |  |  |  |
| UNLESS OTHERWISE NOTED, DIMENSIONS ARE IN INCHES, TOLERANCES ARE:<br><br>FRACTIONS: ±1/64 ANGLES: ±1/2°<br>MACHINED FINISH: 63 OR BETTER |  | DRAWN Dirk Aubram |  | 8/1/22             |  |                |  | DRAWING<br>WR75 20DB HORN ANTENNA, OUTLINE |  |
|  |  | CHECKD.           |  |                    |  |                |  |  |  |
|  |  | DECIMALS          |  | MATERIAL ALUMINUM  |  | SIZE CAGE CODE |  | DRAWING#                                   |  |
| 2 PLACE  |  | 3 PLACE           |  | TREATMENT CHEMFILM |  | 6CDA9          |  |  |  |
| ±.03   |  | ±.005             |  | FINISH RED         |  | SCALE 1:2      |  |  |  |
|  |  |                   |  |                    |  | MODEL#         |  | REVISION                                   |  |
|  |  |                   |  |                    |  | SGH75-20-ITI   |  | A<br>SHEET 1/1                             |  |

