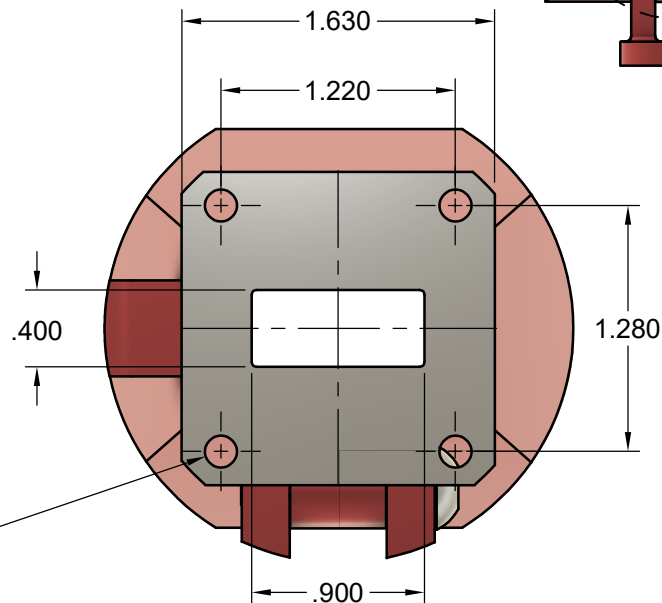
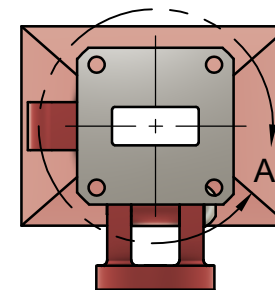
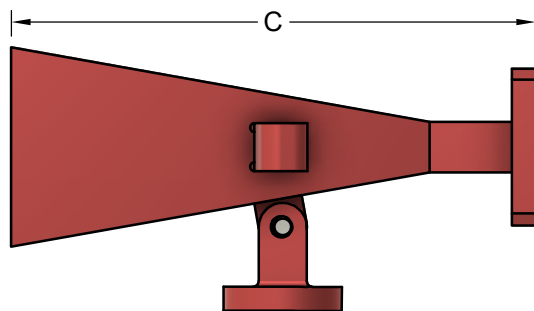
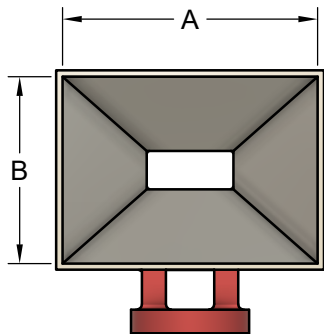
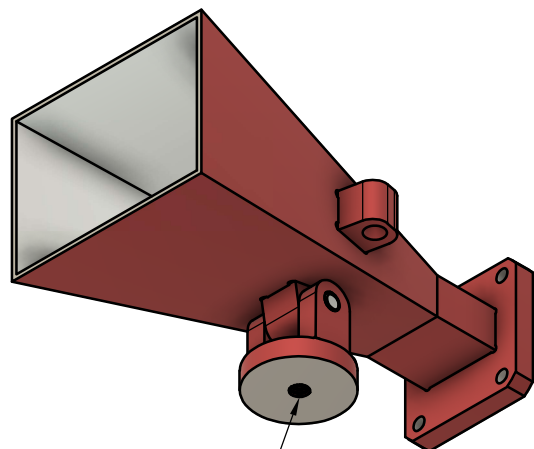


REVISION HISTORY

REV	DESCRIPTION	DATE	APPROVED
A	INITIAL RELEASE	8/1/2022	DA



DETAIL A  
SCALE 1:1



1/4-20 UNC - 2B THRU  
FOR TRIPOD MOUNTING

WR90 15dB GAIN HORN ANTENNA							
WG SIZE	FREQ. (GHz)	GAIN (dB)	3dB Beam Width (E-Plane)	3dB Beam Width (H-Plane)	Dim. A (in)	Dim. B (in)	Dim. C (in)
WR90	8.2-12.4	15	29.3°	29.0°	2.66	1.95	5.46

THIRD ANGLE PROJECTION:		APPROVALS		DATE			
UNLESS OTHERWISE NOTED, DIMENSIONS ARE IN INCHES, TOLERANCES ARE:  FRACTIONS: ±1/64 ANGLES: ±1/2° MACHINED FINISH: 63 OR BETTER		DRAWN Dirk Aubram		8/1/22			
		CHECKD.					
		APRVD.					
MATERIAL ALUMINUM		SIZE		CAGE CODE		DRAWING#	
TREATMENT CHEMFILM		SCALE 1:2		6CDA9		OTL90-15-ITI	
FINISH RED		MODEL#		SGH90-15-ITI		REVISION A	
DECIMALS		2 PLACE		3 PLACE		SHEET 1/1	
±.03		±.005					

DRAWING  
WR90 15DB HORN ANTENNA, OUTLINE