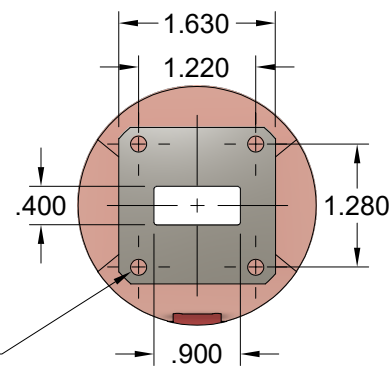
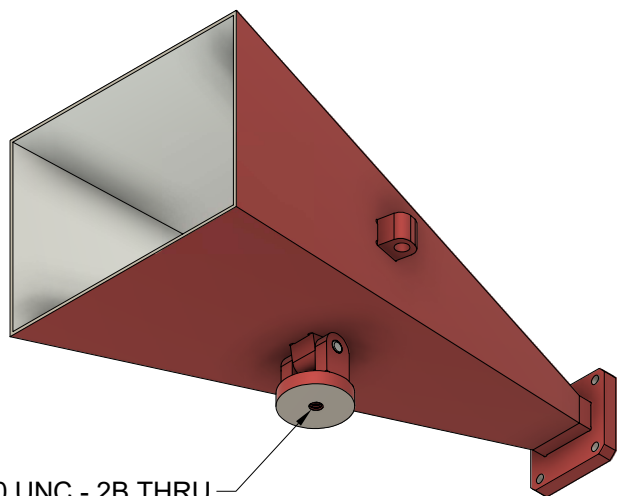
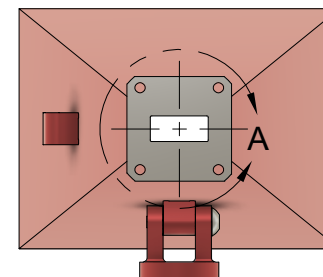
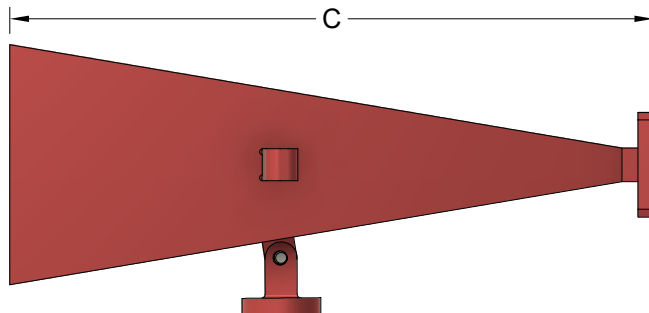
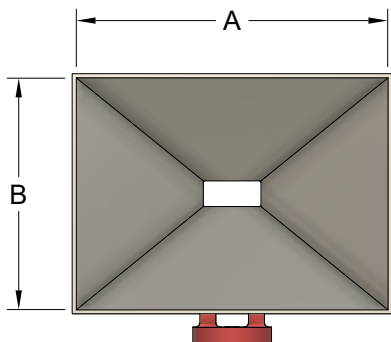


REVISION HISTORY

REV	DESCRIPTION	DATE	APPROVED
A	INITIAL RELEASE	8/1/2022	DA



DETAIL A
SCALE 1:2

WR90 20dB GAIN HORN ANTENNA							
WG SIZE	FREQ. (GHz)	GAIN (dB)	3dB Beam Width (E-Plane)	3dB Beam Width (H-Plane)	Dim. A (in)	Dim. B (in)	Dim. C (in)
WR90	8.2-12.4	20	16.1°	16.5°	4.87	3.62	10.06

THIRD ANGLE PROJECTION: UNLESS OTHERWISE NOTED, DIMENSIONS ARE IN INCHES, TOLERANCES ARE: FRACTIONS: ±1/64 ANGLES: ±1/2° MACHINED FINISH: 63 OR BETTER	APPROVALS	DATE	 DRAWING WR90 20DB HORN ANTENNA, OUTLINE				
	DRAWN: Dirk Aubram	8/1/22					
	CHCKD.		SIZE: 6CDA9	CAGE CODE: ITI	DRAWING#: OTL90-20-ITI	REVISION: A	
	APRVD.		SCALE: 1:3	MODEL#: SGH90-20-ITI	SHEET: 1/1		
DECIMALS 2 PLACE: ±.03 3 PLACE: ±.005		MATERIAL: ALUMINUM	TREATMENT: CHEMFILM	FINISH: RED			