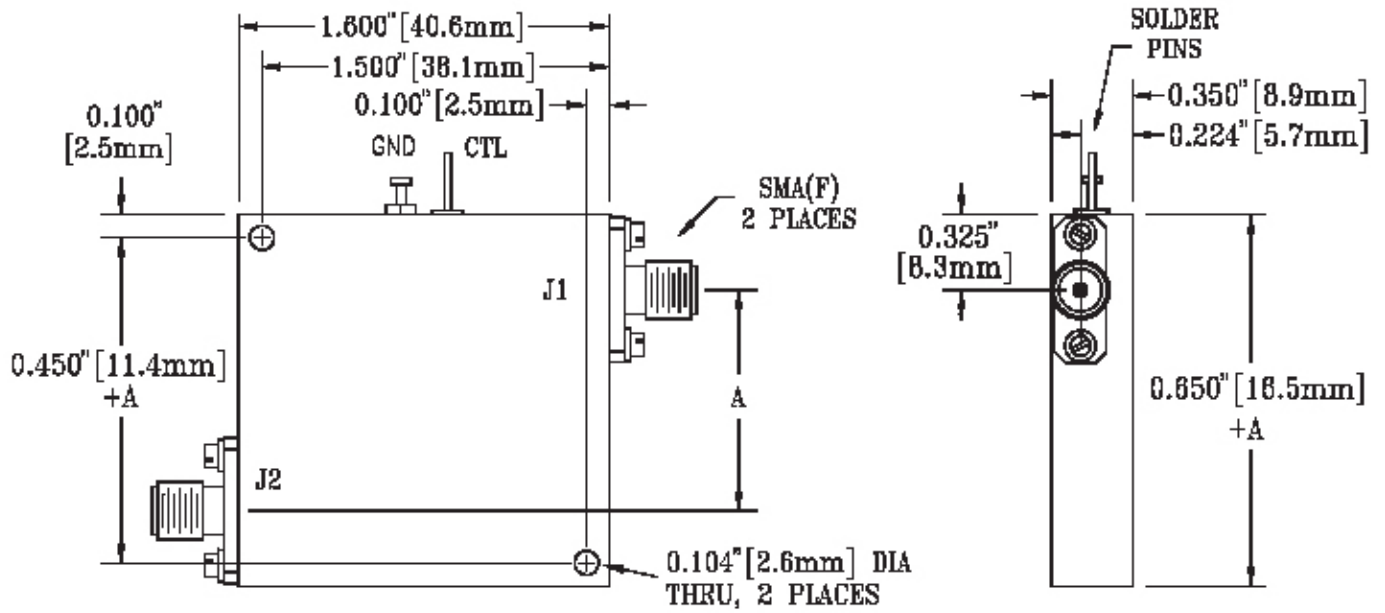


Outline Drawing

Standard Model	"A"
AE-C000-40C	1.350" [34.3mm]
AE-CD00-40C	0.950" [24.1mm]
AE-D000-40C	0.760" [19.3mm]
AE-H000-40C	0.515" [13.1mm]
AE-E000-40C	0.435" [11.0mm]



Tolerances: ± 0.015 " [0.38mm]