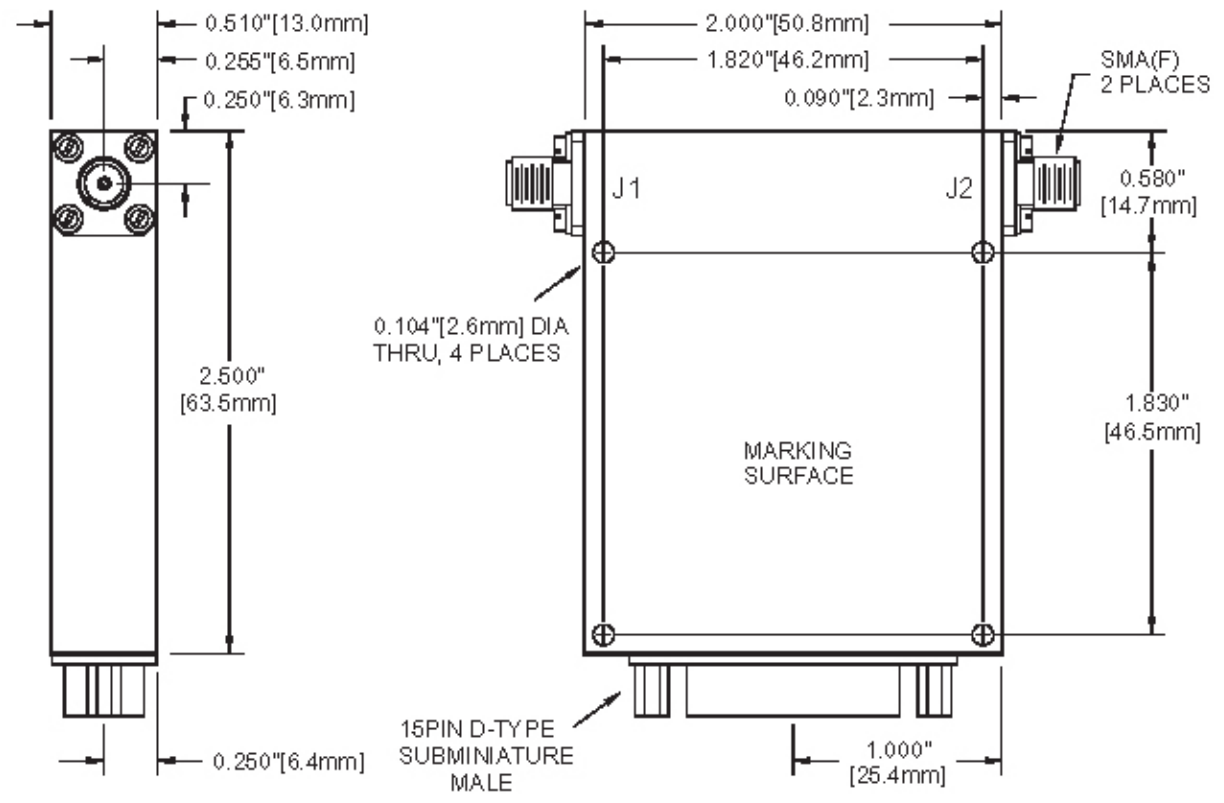


### Outline Drawing (AT-X000-30D)

**Fig.2**



(Tolerances:  $\pm 0.015"$  [0.38mm]  $\Leftrightarrow$  Weight = 3.2oz [90.7g])

**Pin-Out Function**

PIN	Function
1	N/C
2	N/C
3	N/C
4	N/C
5	0.125 dB
6	0.25 dB
7	0.5 dB
8	1.0 dB
9	2.0 dB
10	4.0 dB
11	8.0 dB
12	16.0 dB
13	+VDC
14	-VDC
15	GND (Chassis & Digital)

