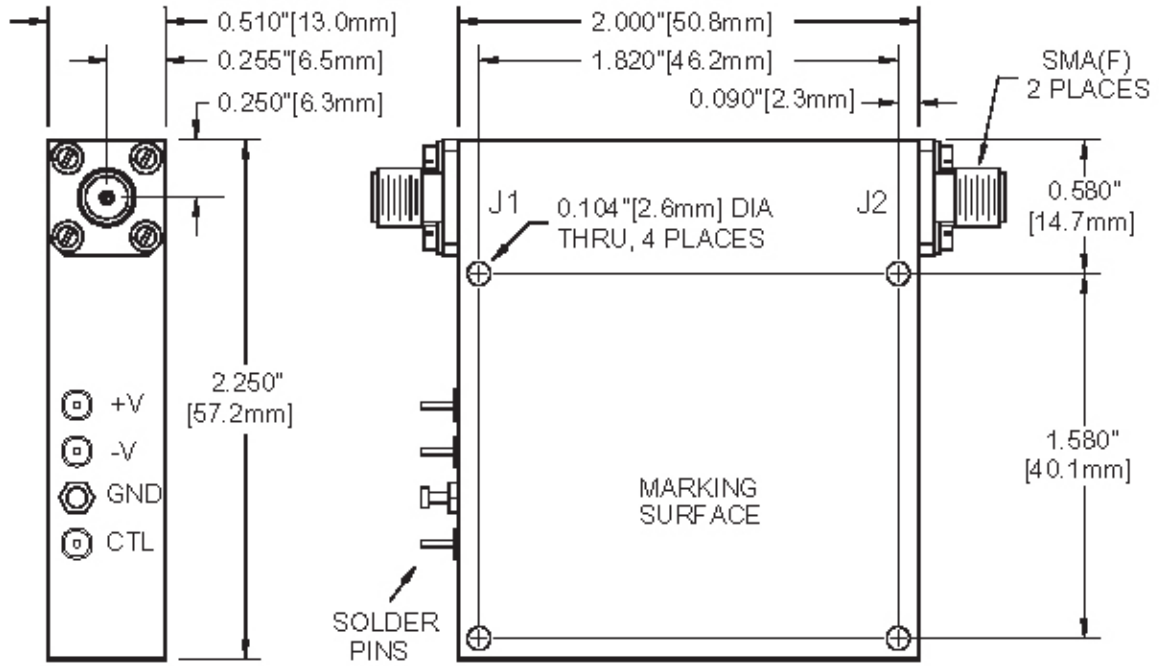


Outline Drawing

Fig.1



(Tolerances: $\pm 0.015"$ [0.38mm])

Weight
2.7 oz [77 g]