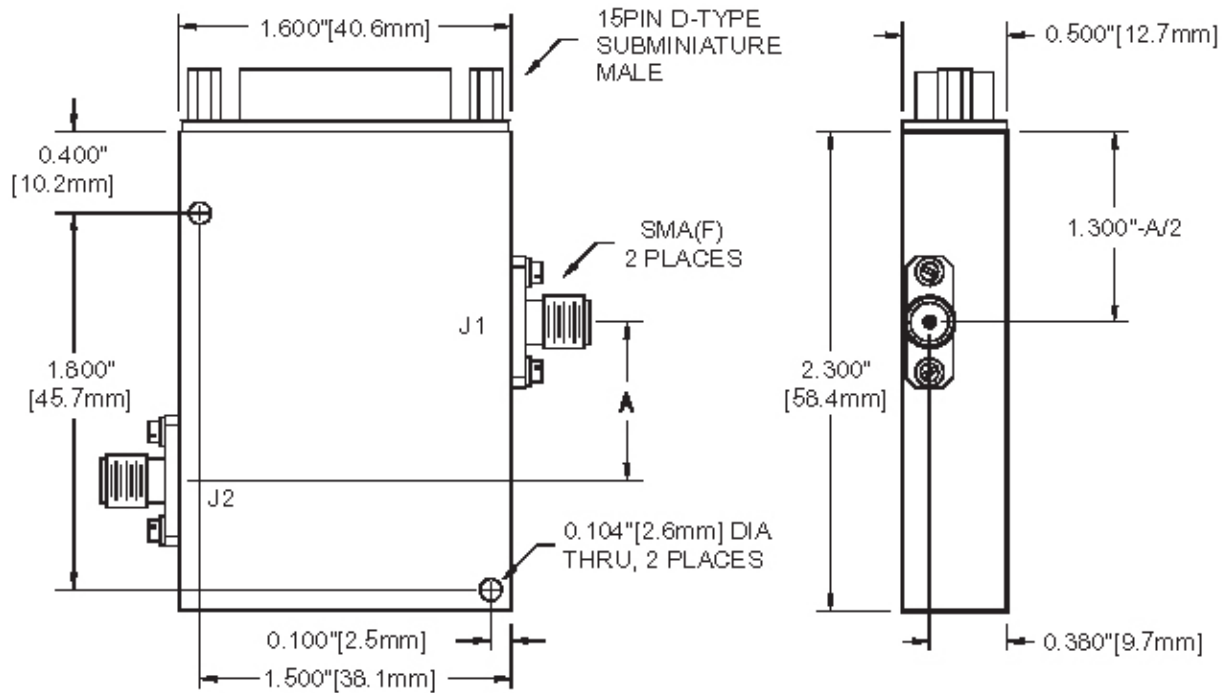


## Outline Drawing

Standard Model	"A"
AT-H800-HD	0.515" [13.1mm]
AT-N800-HD	0.214" [5.4mm]

### Pin-Out Function

PIN	Function
1	N/C
2	N/C
3	N/C
4	0.25 dB
5	0.5 dB
6	1.0 dB
7	2.0 dB
8	4.0 dB
9	8.0 dB
10	16.0 dB
11	32.0 dB
12	64.0 dB
13	+VDC
14	-VDC
15	GND (Chassis & Digital)



(Tolerances:  $\pm 0.015"$  [0.38mm])

Weight
2.4 oz [ 68 g]