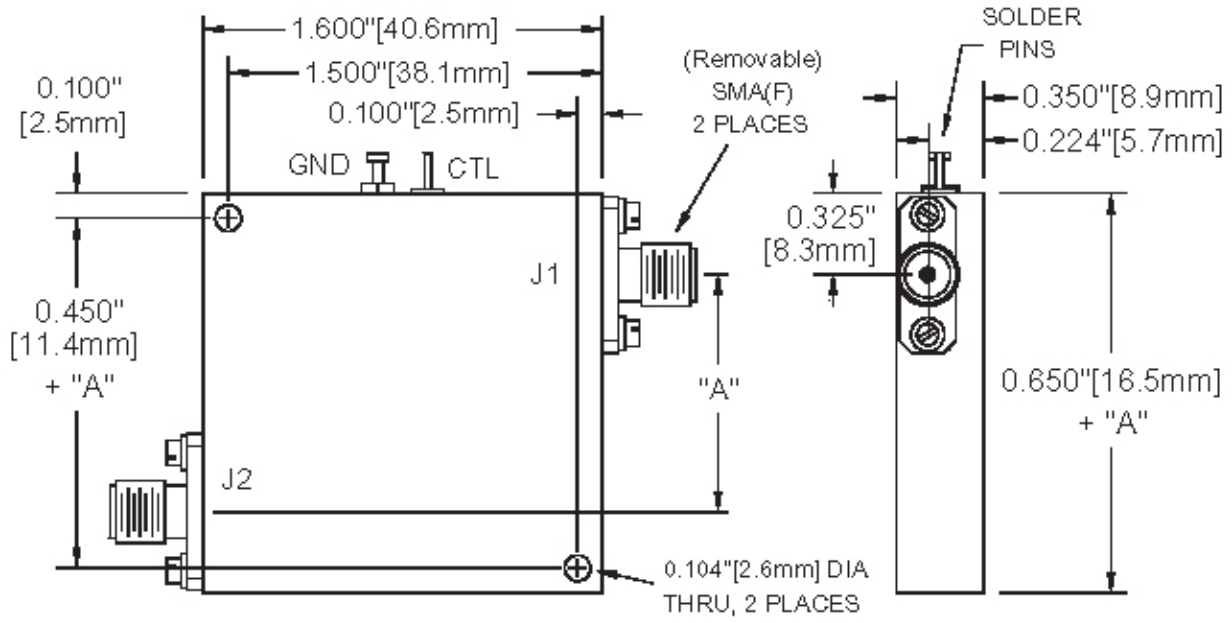


Outline Drawing

Models	"A"	Weight
AT-C000-HC	1.350"[34.3mm]	
AT-CD00-HC	0.950"[24.1mm]	
AT-D000-HC	0.760"[19.3mm]	
AT-H000-HC	0.515"[13.1mm]	1.2 oz [34g]
AT-E000-HC	0.435"[11.0mm]	
AT-Y000-HC	0.345"[8.8mm]	
AT-Q000-HC	0.325"[8.3mm]	
AT-N000-HC	0.214"[5.4mm]	



(Tolerances: ±0.015" [0.38mm])