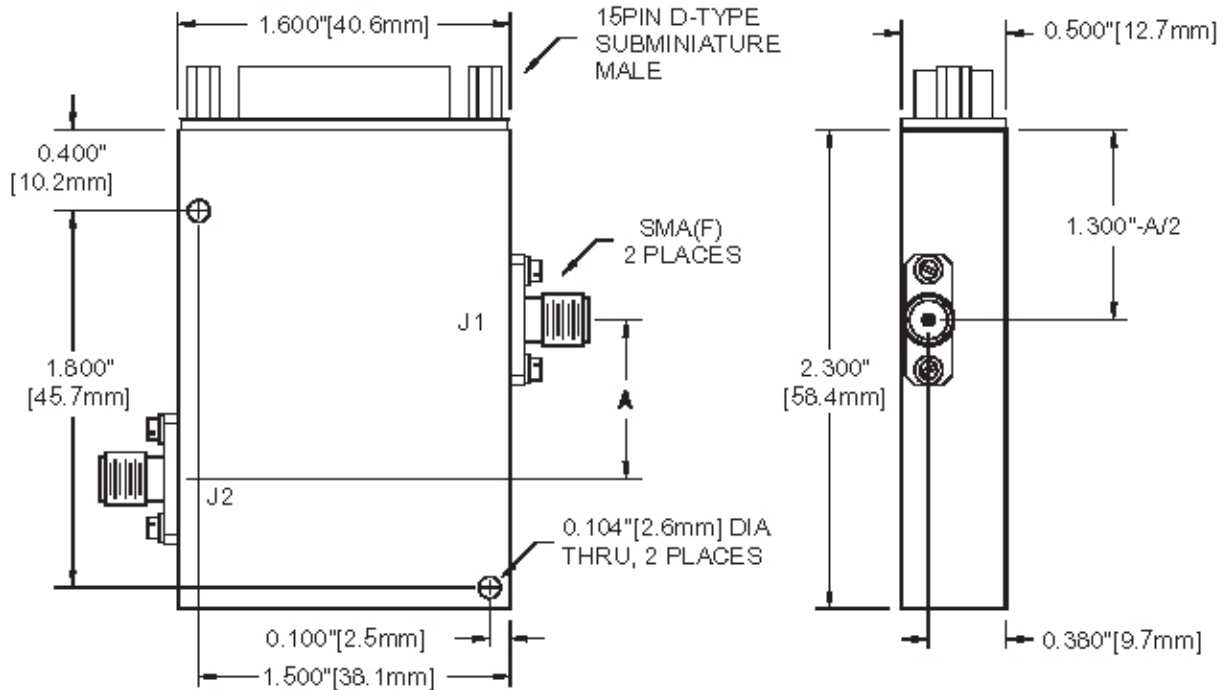


Outline Drawing

Standard Models	"A"
AT-C000-HD	1.350" [34.3mm]
AT-CD00-HD	0.950" [24.1mm]
AT-D000-HD	0.760" [19.3mm]
AT-H000-HD	0.515" [13.1mm]
AT-E000-HD	0.435" [11.0mm]
AT-Y000-HD	0.345" [8.8mm]
AT-Q000-HD	0.325" [8.3mm]
AT-N000-HD	0.214" [5.4mm]

Pin-Out Function

PIN	Function
1	N/C
2	N/C
3	N/C
4	N/C
5	0.25 dB
6	0.5 dB
7	1.0 dB
8	2.0 dB
9	4.0 dB
10	8.0 dB
11	16.0 dB
12	32.0 dB
13	+VDC
14	-VDC
15	GND (Chassis/Digital)



(Tolerances: ±0.015" [0.38mm])

Weight
2.4 oz [68 g]