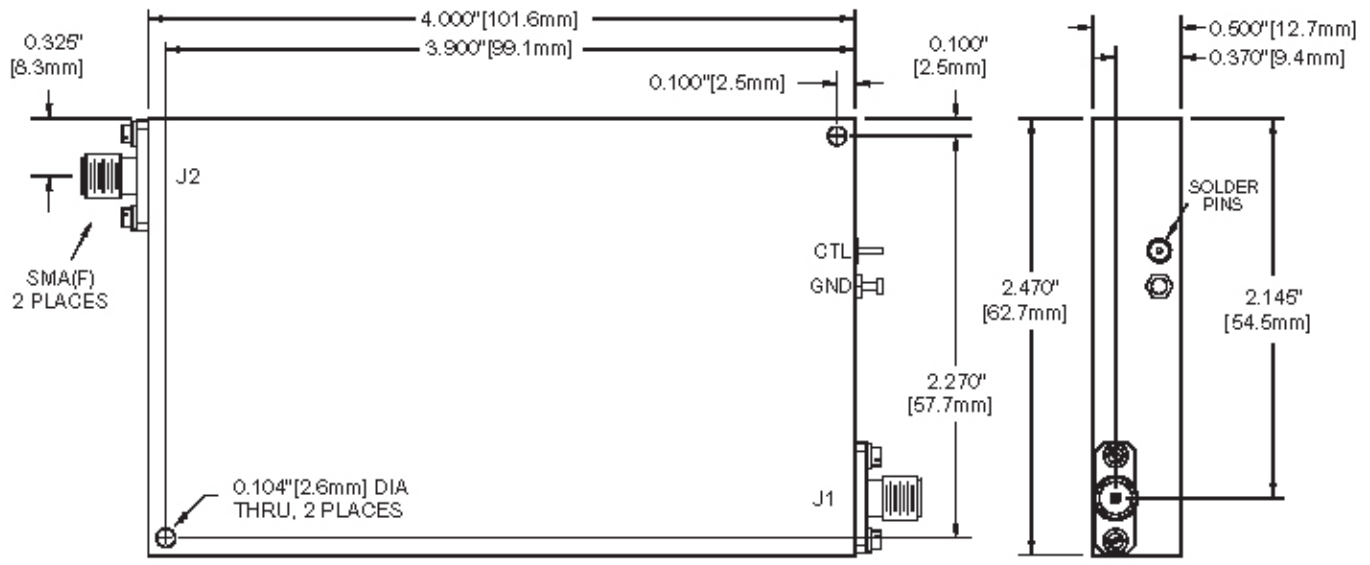


Outline Drawing

Standard Models
AT-A000-HC
AE-A000-40C
AT-A050-60C



(Tolerances: ±0.015" [0.38mm])