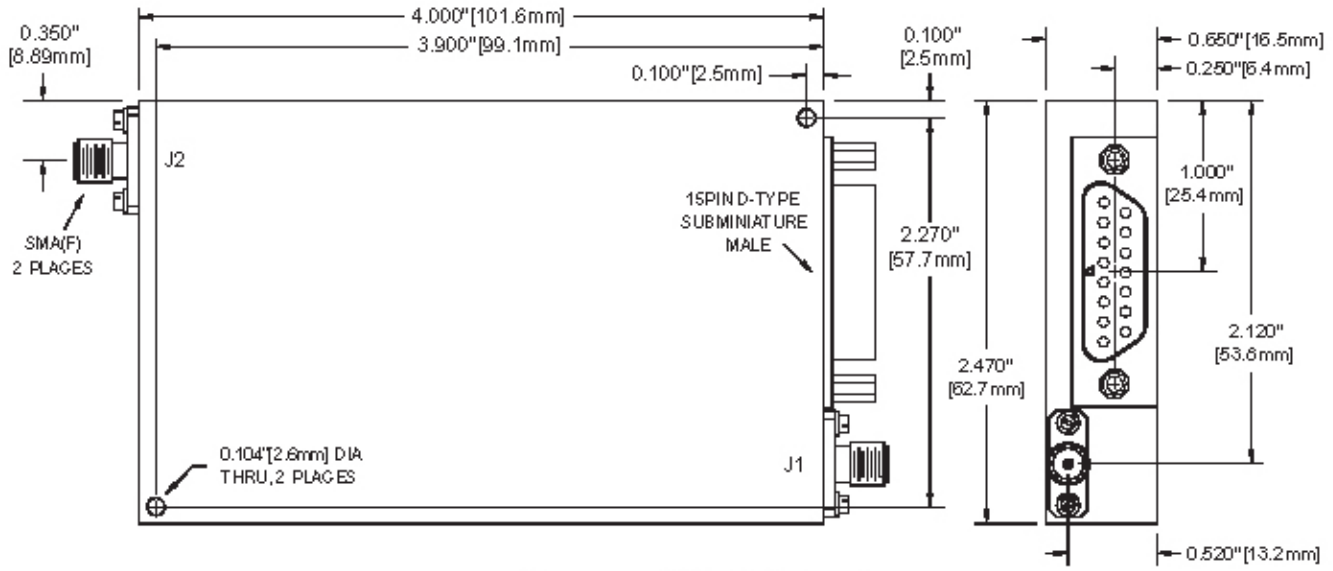


Outline Drawing

Standard Models
AT-A000-HD
AE-A000-40D
AT-A050-60D



(Tolerances: ±0.015" [0.38mm])

Pin-Out Function

PIN	Function
1	N/C
2	N/C
3	N/C
4	N/C
5	0.25 dB
6	0.5 dB
7	1.0 dB
8	2.0 dB
9	4.0 dB
10	8.0 dB
11	16.0 dB
12	32.0 dB
13	+VDC
14	-VDC
15	GND