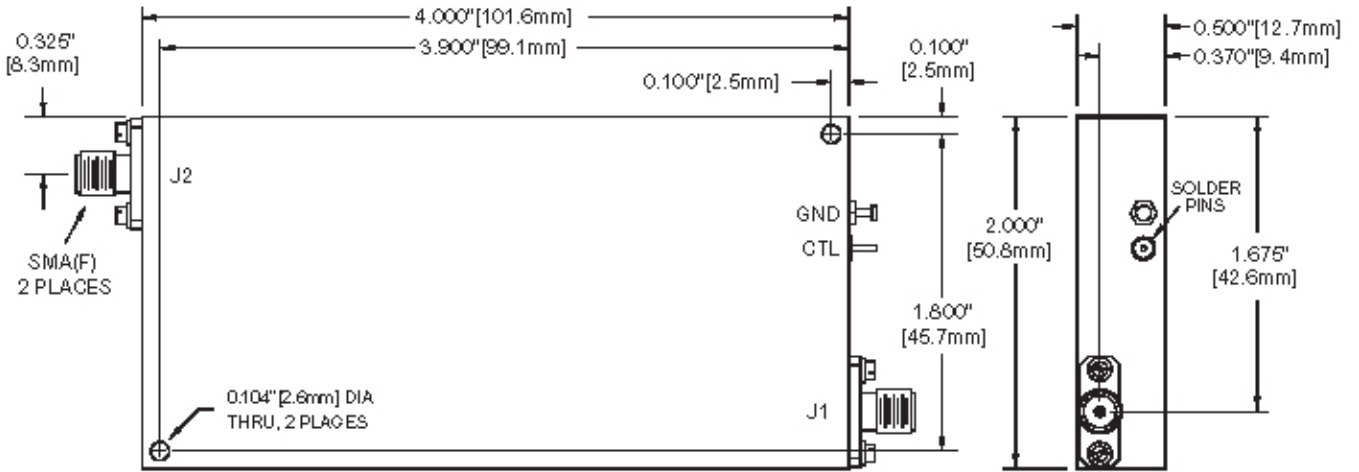


## Outline Drawing

Standard Models
AT-AB00-HC
AE-AB00-40C
AT-AB50-60C



(Tolerances:  $\pm 0.015"$  [0.38mm])