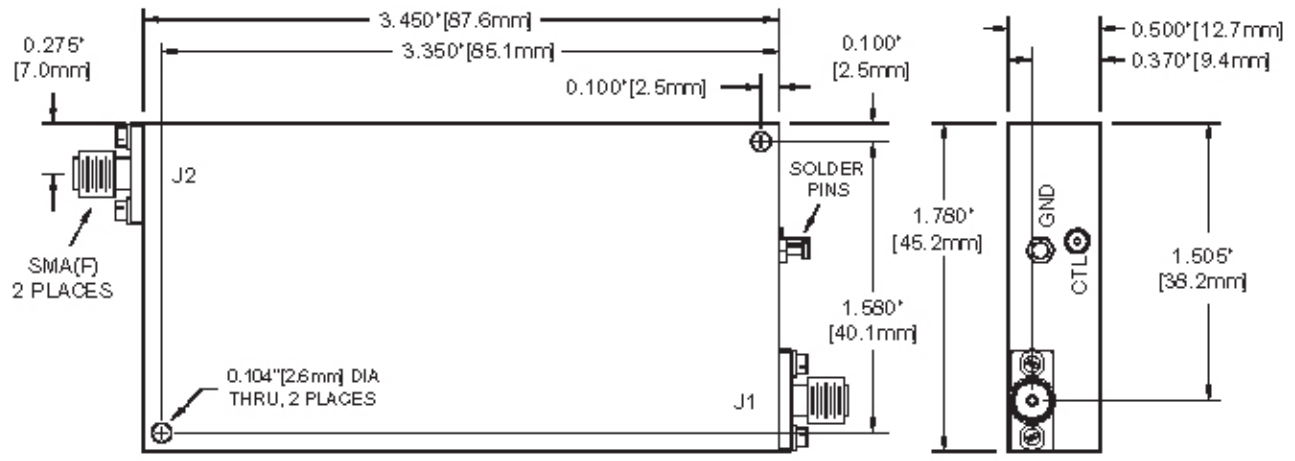


Outline Drawing

Standard Models
AT-B000-HC
AE-B000-40C
AT-B050-60C



(Tolerances: $\pm 0.015'$ [0.38mm])