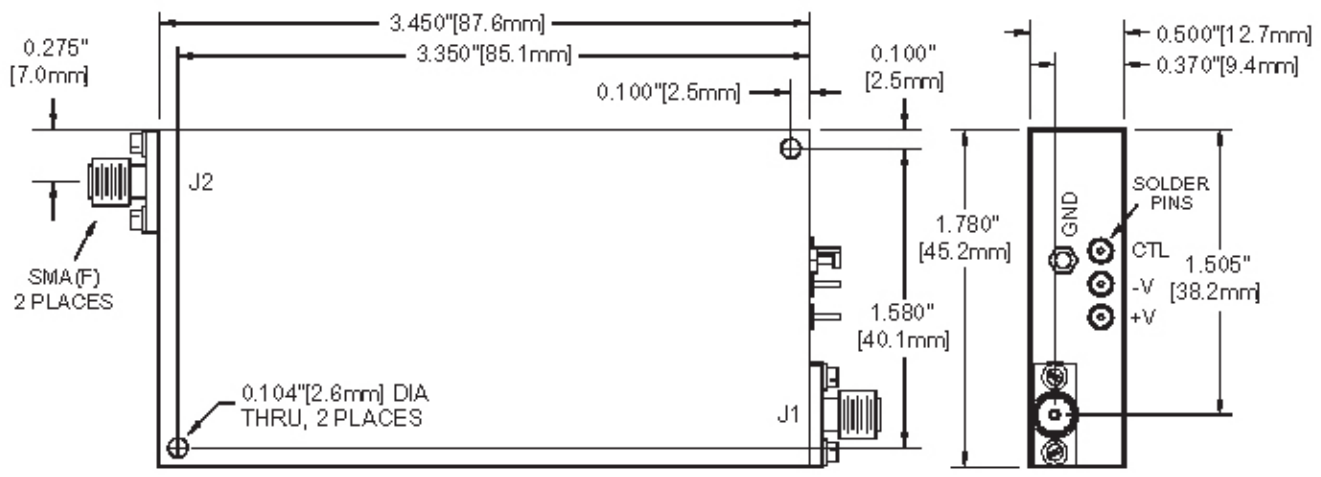


Outline Drawing

Standard Models
AT-B000-HV
AE-B000-40V
AT-B050-60V



(Tolerances: $\pm 0.015"$ [0.38mm])