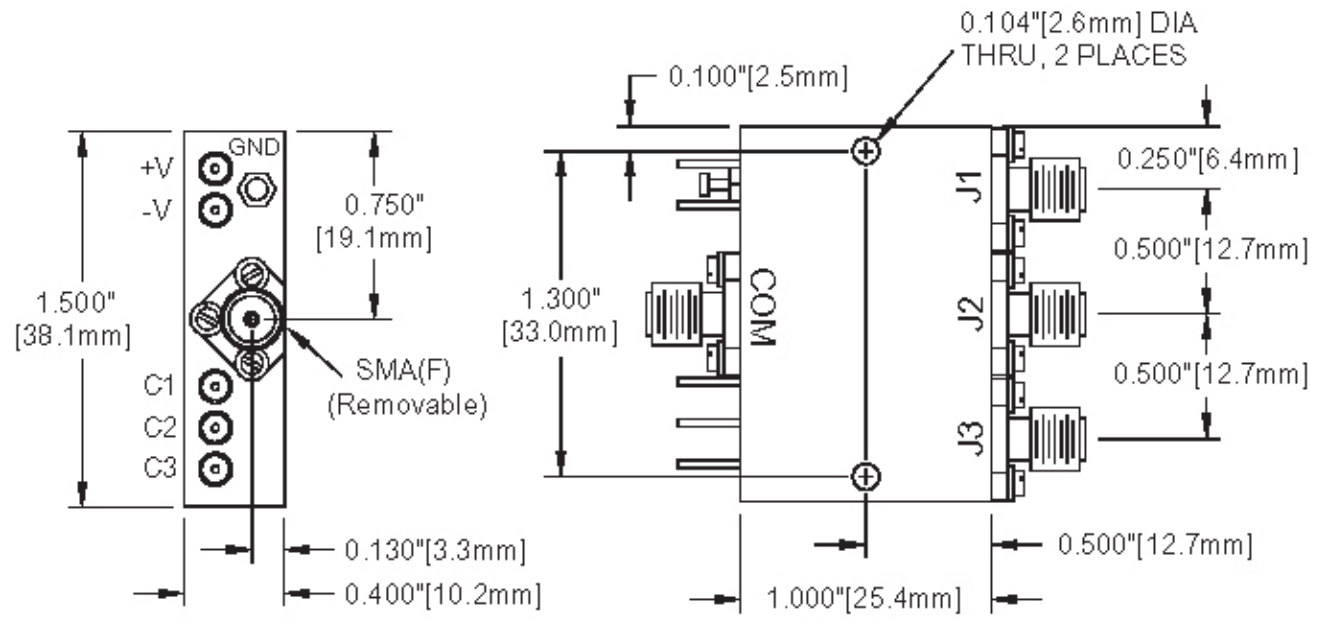


Outline Drawing (SP3T)

Fig. 1



| |
|---------------|
| Weight |
| 1.0 oz |