

| PIN | FUNCTION         |
|-----|------------------|
| 1   | CHASSIS GROUND   |
| 2   | RECEIVED DATA    |
| 3   | TRANSMITTED DATA |
| 4   | NO CONNECTION    |
| 5   | SIGNAL GROUND    |
| 6   | NO CONNECTION    |
| 7   | RTS              |
| 8   | CTS              |
| 9   | NO CONNECTION    |

NOTE:  
THIS UNIT IS SUPPLIED WITH A 12 VOLT TRANSFORMER (100-240VAC)

| REV | ECN    | DATE    | BY  | APPR | MATERIAL  |  | PROPRIETARY INFORMATION  |
|-----|--------|---------|-----|------|---|--|--|
| -   | ISSUED | 7-1-10  | BZ  | TEZ  | ALUMINUM ALLOY                                      |  | ALL SURFACES ARE TO BE FREE OF BURRS, PITS, & SCRATCHES<br>TOLERANCES<br>.XX±.010 .XXX±.005 XX±.5<br>DWG # |
| A   | 18952  | 8-3-10  | BZ  | TEZ  | FINISH CASE: BLACK PAINT / FRONT & REAR: GRAY PAINT |  |  |
| B   | 18972  | 8-6-10  | DTS | TRS  | MODEL 50BA-XXX-XX                                   |  |  |
| C   | 19611  | 1-17-11 | DCK | CLK  | DESCRIPTION   |  |  |
| D   | 24240  | 12-1-14 | DTS | TRS  | MINI BENCHTOP ATTENUATOR                            |  |  |
| E   | 24846  | 1-22-15 | JZ  | BZ   | SCALE FULL  |  |  |
| F   | 28303  | 12-5-17 | JZ  | TEZ  |   |  |  |

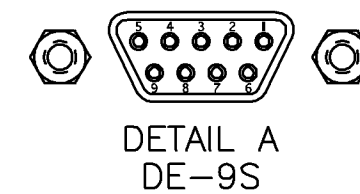
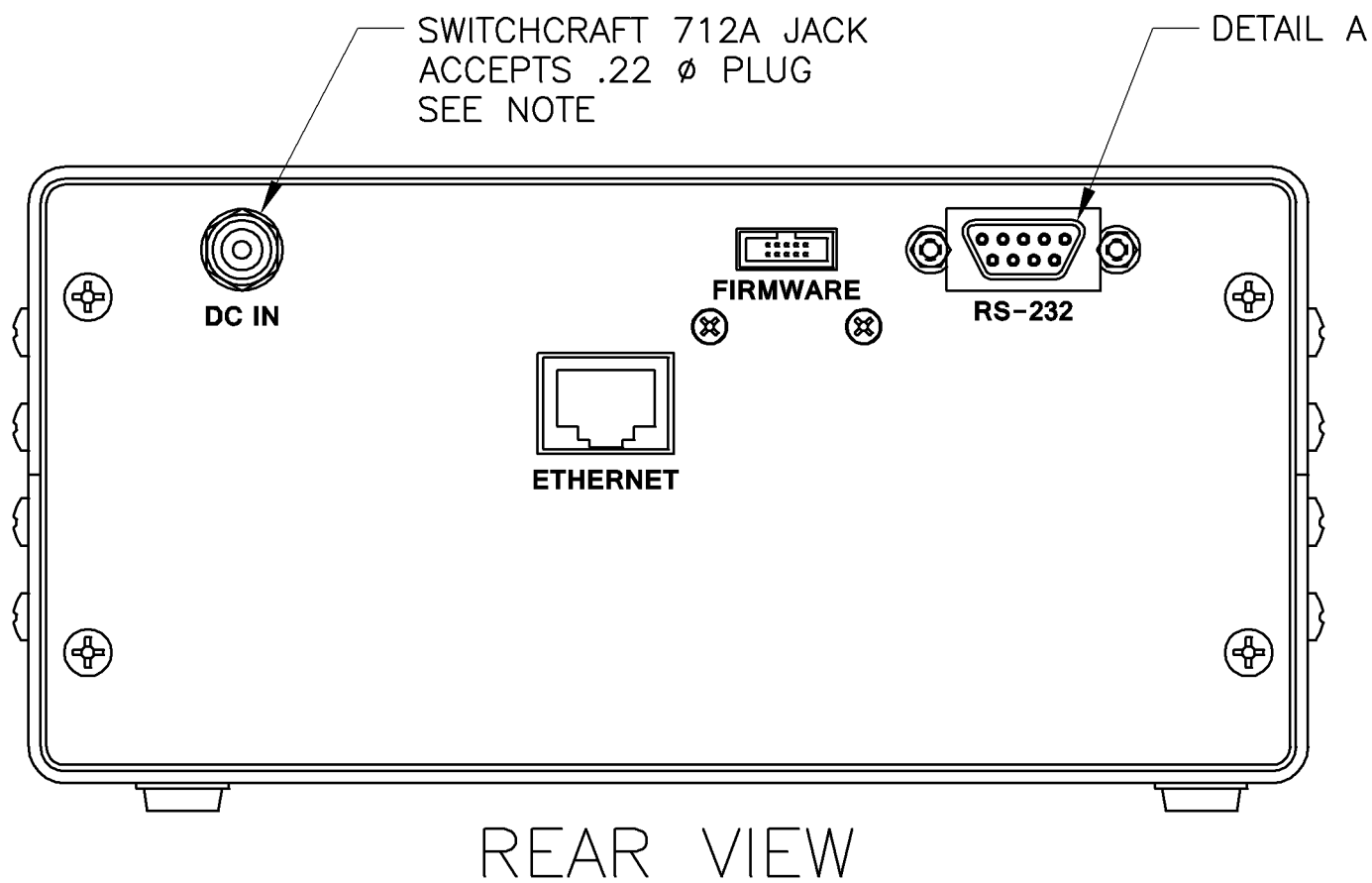
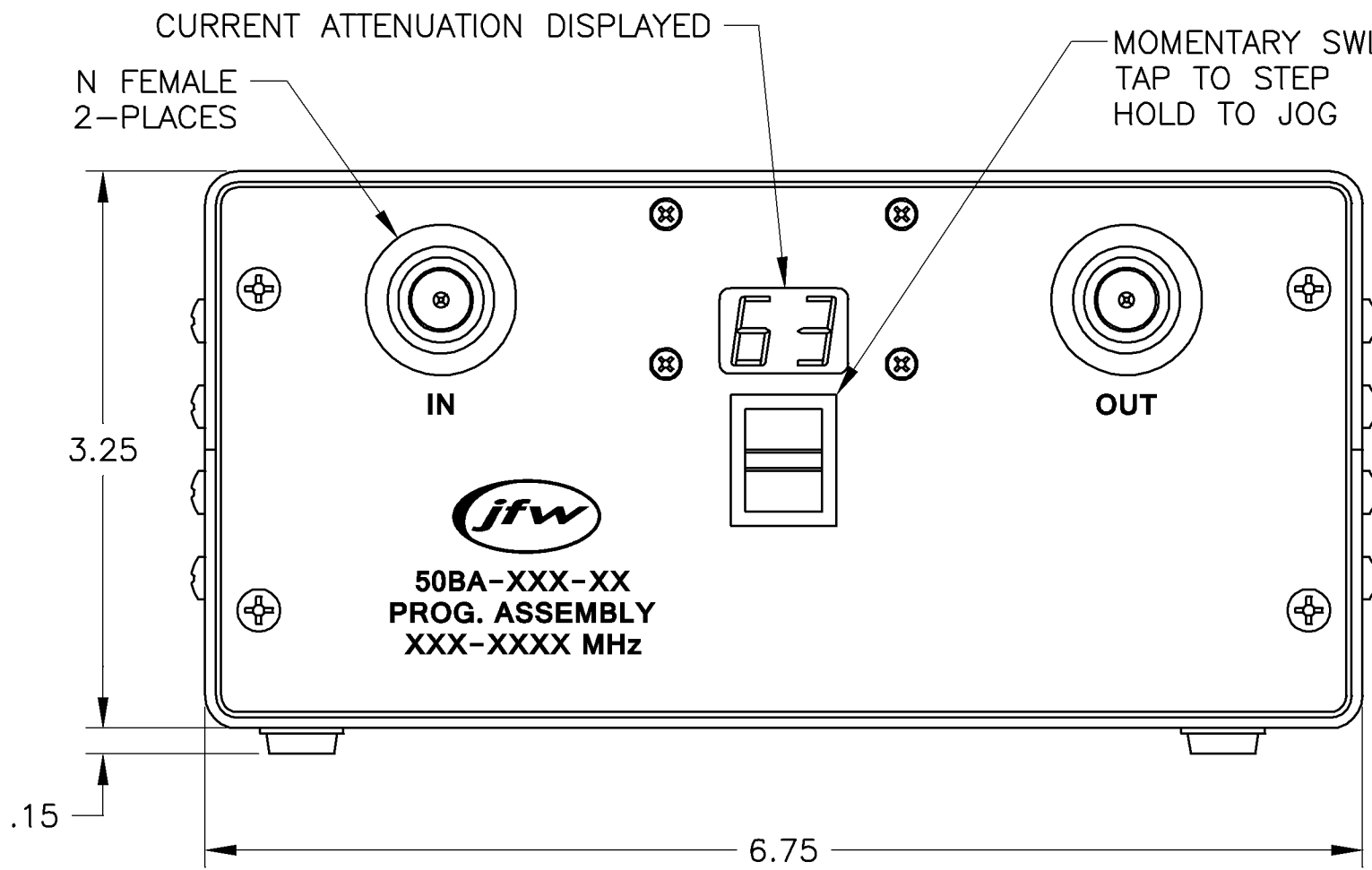


**JFW INDUSTRIES, INC.**

www.jfwindustries.com

PH: 317-887-1340

REAR VIEW



| PIN | FUNCTION         |
|-----|------------------|
| 1   | CHASSIS GROUND   |
| 2   | RECEIVED DATA    |
| 3   | TRANSMITTED DATA |
| 4   | NO CONNECTION    |
| 5   | SIGNAL GROUND    |
| 6   | NO CONNECTION    |
| 7   | RTS              |
| 8   | CTS              |
| 9   | NO CONNECTION    |

NOTE:  
THIS UNIT IS SUPPLIED WITH A 12 VOLT TRANSFORMER (100-240VAC)

| REV | ECN    | DATE    | BY  | APPR |             |   |
|-----|--------|---------|-----|------|-------------|---|
| -   | ISSUED | 12-9-10 | TEZ | CLK  |             |   |
| A   | 24240  | 12-1-14 | DTS | TRS  |             |   |
| B   | 24846  | 1-22-15 | JZ  | BZ   |             |   |
| C   | 25150  | 4-18-18 | JZ  | TEZ  |             |   |
| D   | 30660  | 9-21-20 | JZ  | JZ   |             |   |
|     |        |         |     |      | MATERIAL    | ALUMINUM ALLOY  |
|     |        |         |     |      | FINISH      | CASE: BLACK PAINT / FRONT & REAR: GRAY PAINT            |
|     |        |         |     |      | MODEL       | 50BA-XXX-XX N   |
|     |        |         |     |      | SCALE       | FULL  |
|     |        |         |     |      | DESCRIPTION | MINI BENCHTOP ATTENUATOR                                |
|     |        |         |     |      |             | PROPRIETARY INFORMATION                                 |
|     |        |         |     |      |             | ALL SURFACES ARE TO BE FREE OF BURRS, PITS, & SCRATCHES |
|     |        |         |     |      |             | TOLERANCES  |
|     |        |         |     |      |             | .XX±.010 .XXX±.005 .XX±.5                               |
|     |        |         |     |      |             | DWG #   |
|     |        |         |     |      |             | 092-6812  |



**JFW INDUSTRIES, INC.**

www.jfwindustries.com

PH: 317-887-1340