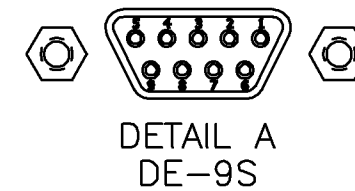


REAR VIEW



PIN	FUNCTION
1	CHASSIS GROUND
2	RECEIVED DATA
3	TRANSMITTED DATA
4	NO CONNECTION
5	SIGNAL GROUND
6	NO CONNECTION
7	RTS
8	CTS
9	NO CONNECTION

NOTE:
THIS UNIT IS SUPPLIED WITH A 12 VOLT TRANSFORMER (100-240VAC)

REV	ECN	DATE	BY	APPR	MATERIAL		PROPRIETARY INFORMATION
-	ISSUED	7-1-10	BZ	TEZ	ALUMINUM ALLOY		ALL SURFACES ARE TO BE FREE OF BURRS, PITS, & SCRATCHES TOLERANCES .XX±.010 .XXX±.005 XX±.5 DWG #
A	18952	8-3-10	BZ	TEZ	FINISH CASE: BLACK PAINT / FRONT & REAR: GRAY PAINT		
B	18972	8-6-10	DTS	TRS	MODEL 50BA-XXX-XX		
C	19611	1-17-11	DCK	CLK	SCALE FULL		
D	24240	12-1-14	DTS	TRS	DESCRIPTION		
E	24846	1-22-15	JZ	BZ	MINI BENCHTOP ATTENUATOR		
F	28303	12-5-17	JZ	TEZ			

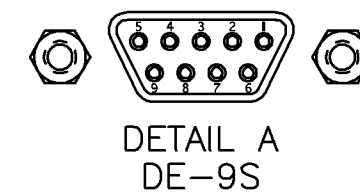
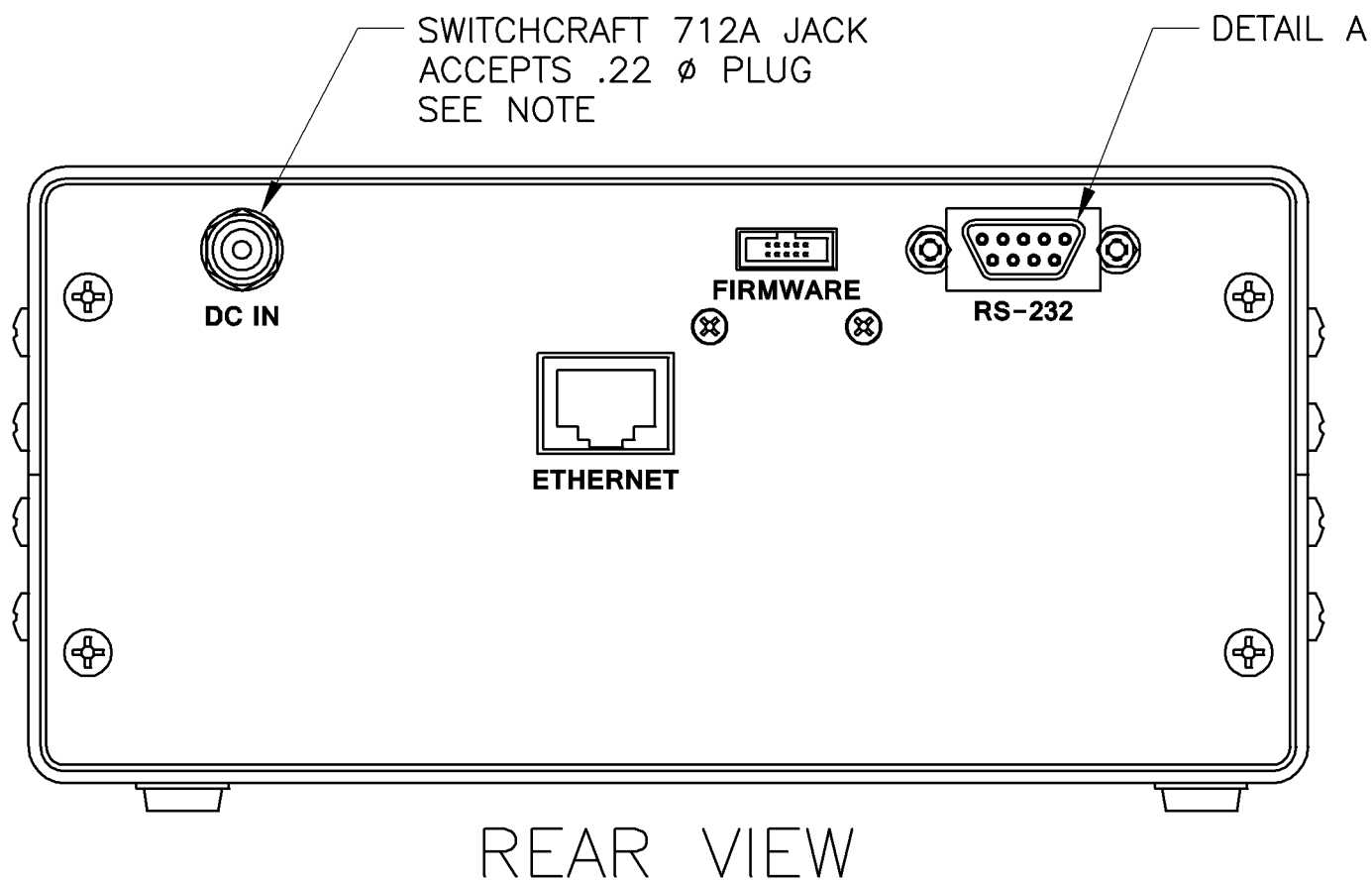
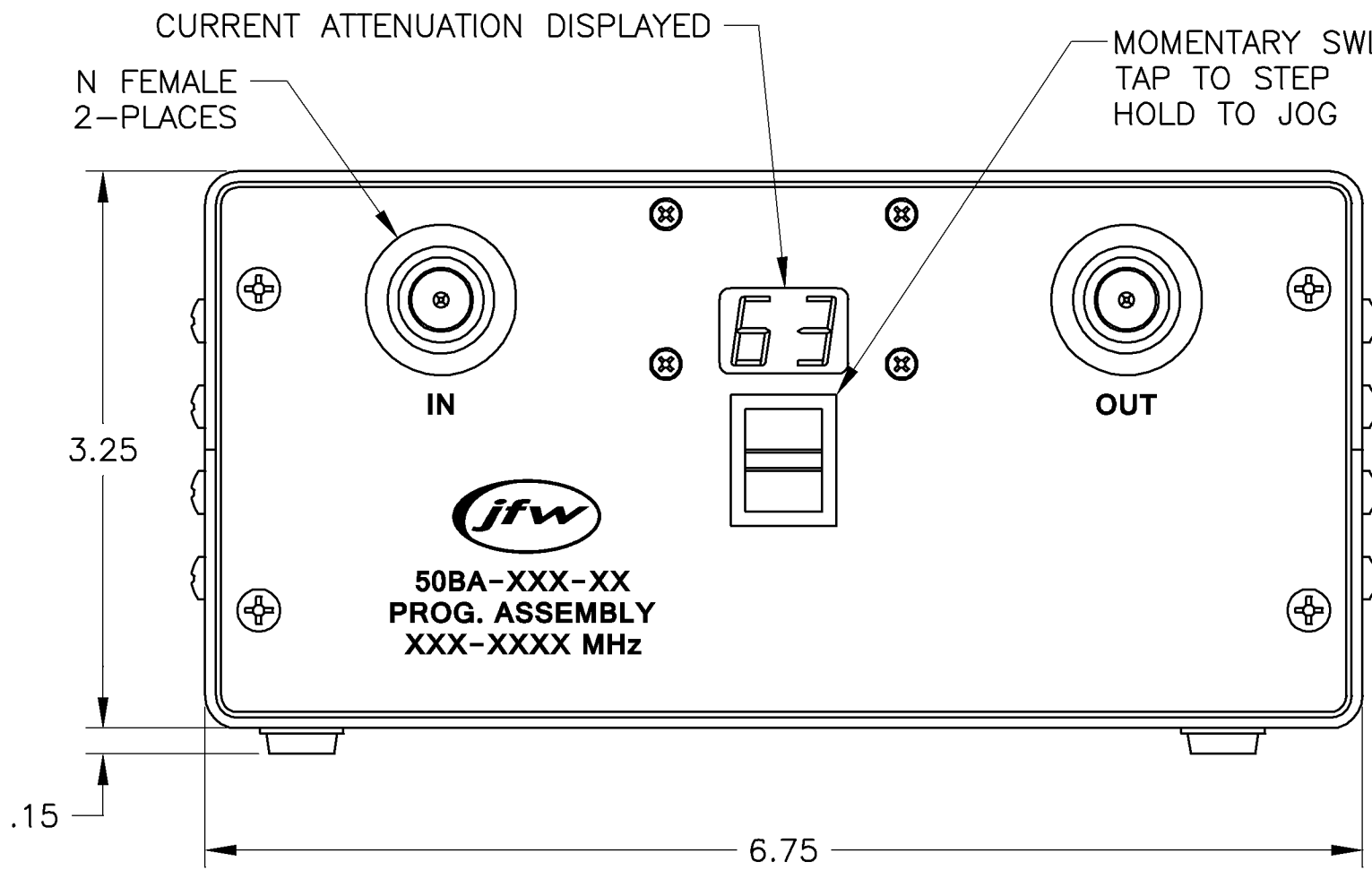


JFW INDUSTRIES, INC.

www.jfwindustries.com


PH: 317-887-1340

092-6615



PIN	FUNCTION
1	CHASSIS GROUND
2	RECEIVED DATA
3	TRANSMITTED DATA
4	NO CONNECTION
5	SIGNAL GROUND
6	NO CONNECTION
7	RTS
8	CTS
9	NO CONNECTION

NOTE:
THIS UNIT IS SUPPLIED WITH A 12 VOLT TRANSFORMER (100-240VAC)

REV	ECN	DATE	BY	APPR		
-	ISSUED	12-9-10	TEZ	CLK		
A	24240	12-1-14	DTS	TRS		
B	24846	1-22-15	JZ	BZ		
C	25150	4-18-18	JZ	TEZ		
D	30660	9-21-20	JZ	JZ		
					 JFW INDUSTRIES, INC. www.jfwindustries.com PH: 317-887-1340	
					MATERIAL	ALUMINUM ALLOY
					FINISH	CASE: BLACK PAINT / FRONT & REAR: GRAY PAINT
					MODEL	50BA-XXX-XX N
					SCALE	FULL
					DESCRIPTION	MINI BENCHTOP ATTENUATOR
					PROPRIETARY INFORMATION ALL SURFACES ARE TO BE FREE OF BURRS, PITS, & SCRATCHES TOLERANCES .XX \pm .010 .XXX \pm .005 XX \pm .5 DWG # 092-6812	