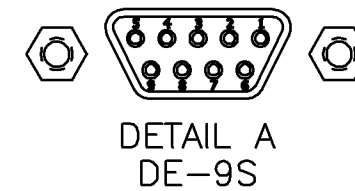


REAR VIEW



PIN	FUNCTION
1	CHASSIS GROUND
2	RECEIVED DATA
3	TRANSMITTED DATA
4	NO CONNECTION
5	SIGNAL GROUND
6	NO CONNECTION
7	RTS
8	CTS
9	NO CONNECTION

NOTE:
THIS UNIT IS SUPPLIED WITH A 12 VOLT TRANSFORMER (100-240VAC)

REV	ECN	DATE	BY	APPR	MATERIAL		PROPRIETARY INFORMATION
-	ISSUED	7-1-10	BZ	TEZ	ALUMINUM ALLOY		ALL SURFACES ARE TO BE FREE OF BURRS, PITS, & SCRATCHES TOLERANCES .XX±.010 .XXX±.005 .XX±.5 DWG #
A	18952	8-3-10	BZ	TEZ	FINISH CASE: BLACK PAINT / FRONT & REAR: GRAY PAINT		
B	18972	8-6-10	DTS	TRS	MODEL 50BA-XXX-XX		
C	19611	1-17-11	DCK	CLK	SCALE FULL		
D	24240	12-1-14	DTS	TRS	DESCRIPTION		
E	24846	1-22-15	JZ	BZ	MINI BENCHTOP ATTENUATOR		
F	28303	12-5-17	JZ	TEZ			



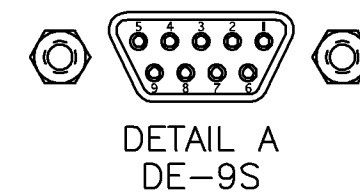
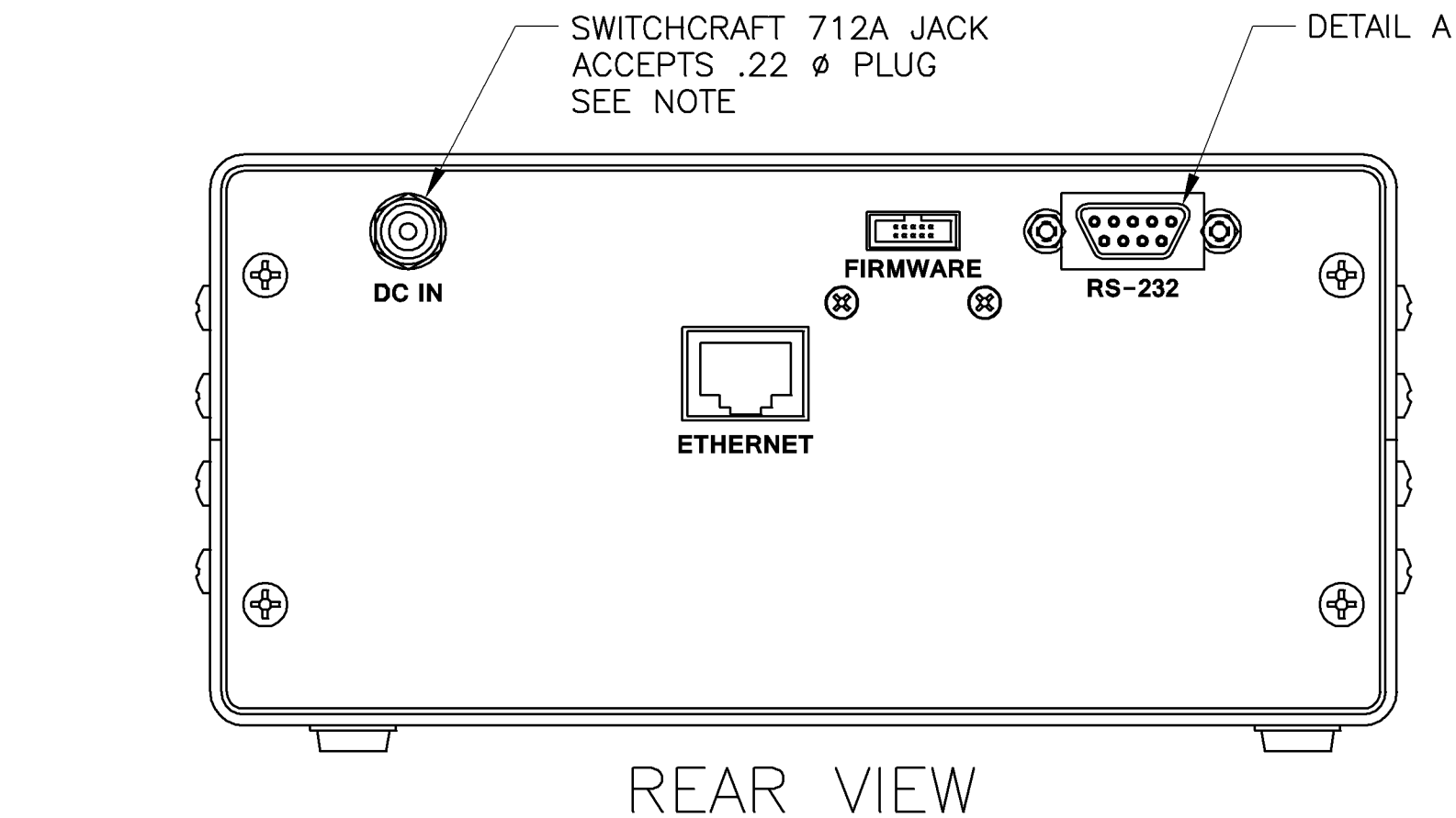
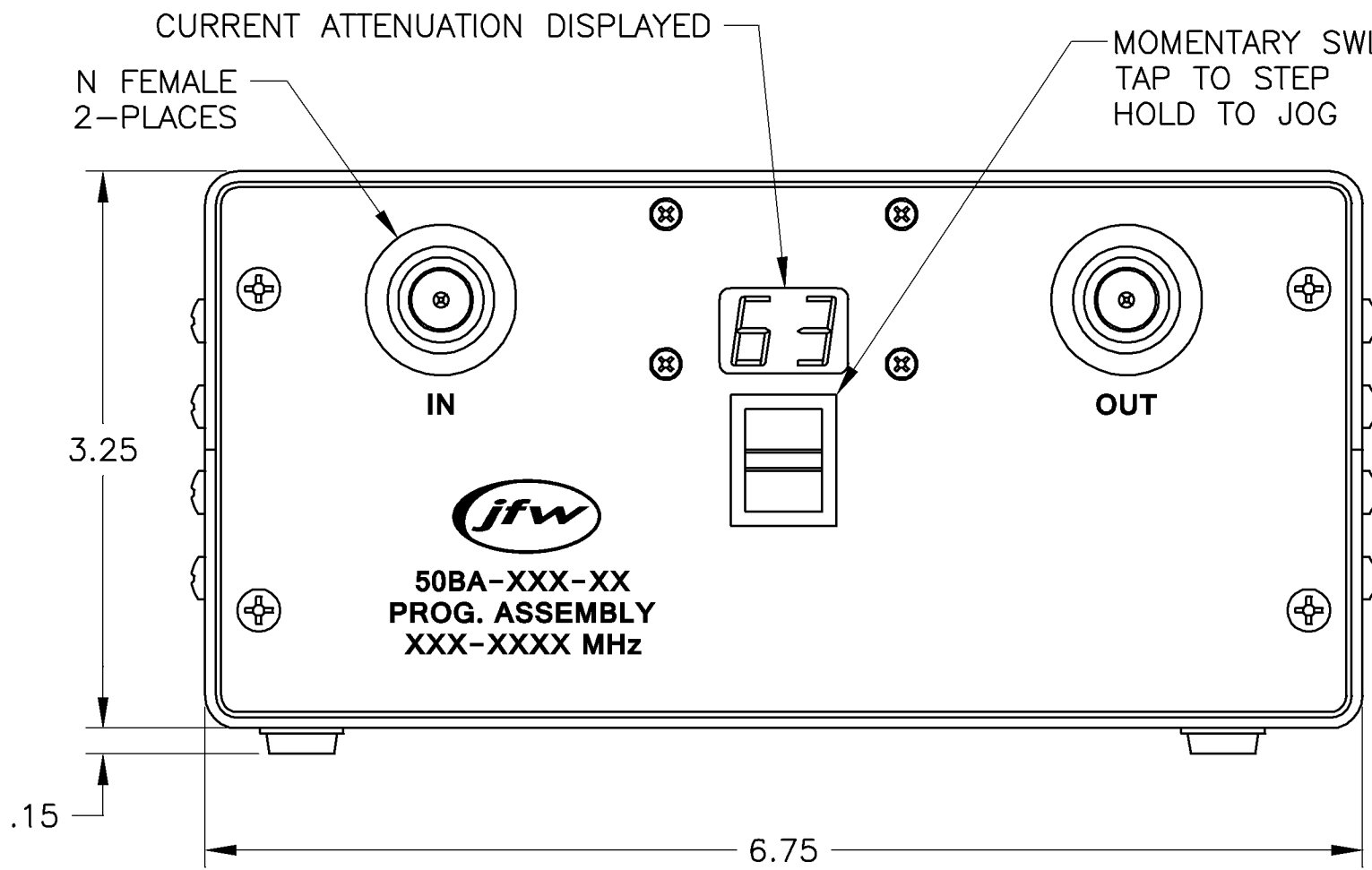
JFW INDUSTRIES, INC.

www.jfwindustries.com

PH: 317-887-1340

PROPRIETARY INFORMATION
ALL SURFACES ARE TO BE FREE OF BURRS, PITS, & SCRATCHES
TOLERANCES
.XX±.010 .XXX±.005 .XX±.5

DWG # 092-6615



PIN	FUNCTION
1	CHASSIS GROUND
2	RECEIVED DATA
3	TRANSMITTED DATA
4	NO CONNECTION
5	SIGNAL GROUND
6	NO CONNECTION
7	RTS
8	CTS
9	NO CONNECTION

NOTE:
THIS UNIT IS SUPPLIED WITH A 12 VOLT TRANSFORMER (100-240VAC)

REV	ECN	DATE	BY	APPR	MATERIAL		PROPRIETARY INFORMATION
-	ISSUED	12-9-10	TEZ	CLK	ALUMINUM ALLOY		ALL SURFACES ARE TO BE FREE OF BURRS, PITS, & SCRATCHES TOLERANCES .XX \pm .010 .XXX \pm .005 XX \pm .5
A	24240	12-1-14	DTS	TRS	FINISH CASE: BLACK PAINT / FRONT & REAR: GRAY PAINT		
B	24846	1-22-15	JZ	BZ	MODEL 50BA-XXX-XX N		
C	25150	4-18-18	JZ	TEZ	SCALE FULL		
D	30660	9-21-20	JZ	JZ	DESCRIPTION		DWG #
							092-6812



JFW INDUSTRIES, INC.

www.jfwindustries.com

PH: 317-887-1340

MINI BENCHTOP ATTENUATOR