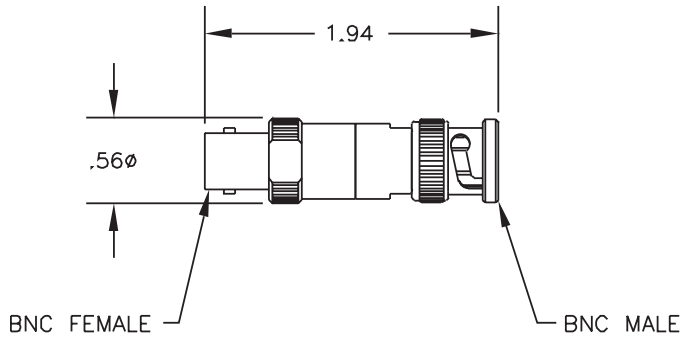


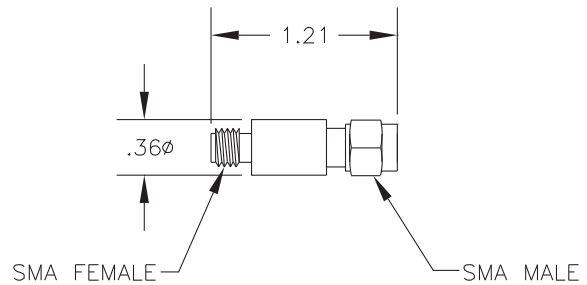
# DC Blocks

Model	Frequency Range	Impedance	Insertion Loss (maximum)	VSWR (maximum)	Breakdown Voltage	RF Connector	RF Input Power (average)
50DB-002	50 KHz - 1800 MHz	50 Ohms	0.5 dB	1.3:1	100 Volts	BNC, TNC or N	2 Watts
50DB-007	10 MHz - 18 GHz	50 Ohms	0.5 dB	1.35:1	200 Volts	SMA	2 Watts
50DB-009	10 - 4000 MHz	50 Ohms	0.3 dB	1.3:1	50 Volts	BNC, TNC, N or SMA	2 Watts
50DB-011	10 MHz - 18 GHz	50 Ohms	0.6 dB	1.35:1	200 Volts	N	2 Watts
50DB-039	200 KHz - 2000 MHz	50 Ohms	0.4 dB	1.2:1	50 Volts	SMA	2 Watts
75DB-001	1-2500 MHz	75 Ohms	0.2 dB 1-1000 MHz 0.3 dB 1000-2500 MHz	1.1:1 1-500 MHz 1.25:1 500-1000 MHz 1.35:1 1000-2000 MHz 1.4:1 2000-2500 MHz	100 Volts	BNC, TNC or N	2 Watts
75DB-010	0.1 - 4000 MHz	75 Ohms	0.5 dB 0.1-2000 MHz 0.7 dB 2000-4000 MHz	1.3:1 0.1-2000 MHz 1.4:1 2000-4000 MHz	50 Volts	N	2 Watts

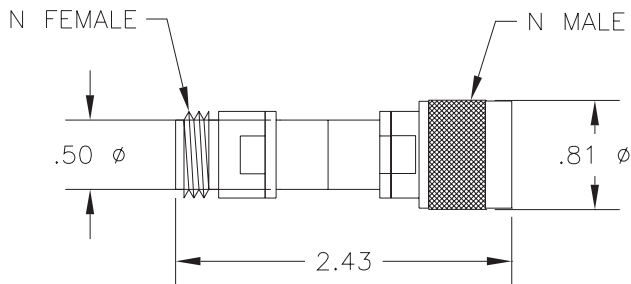
**50DB-002 / 75DB-001**



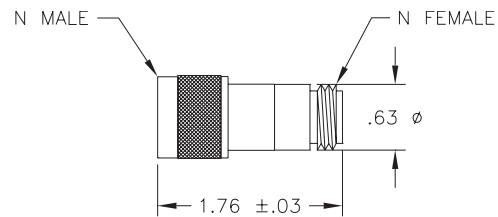
**50DB-007**



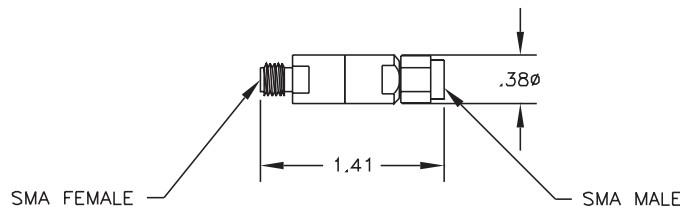
**50DB-009**



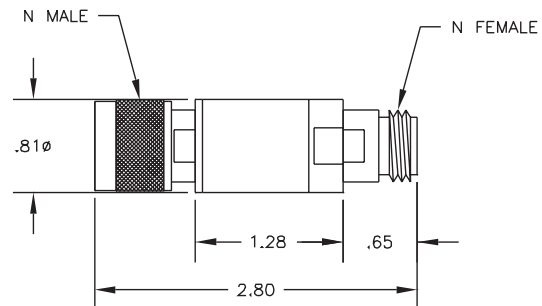
**50DB-011**



**50DB-039**



**75DB-010**



This represents only 10% of our products. For YOUR application, contact JFW at 1-877-887-4JFW or sales@jfwindustries.com