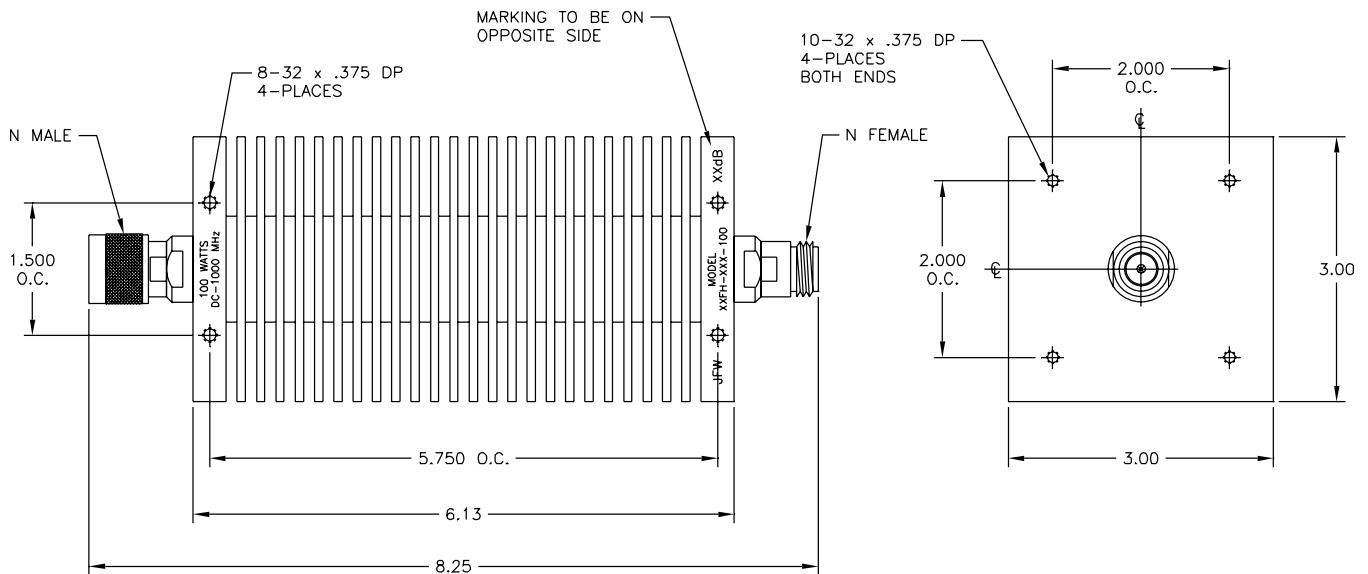


100 Watt Fixed Attenuators FH Series

Model	Frequency Range	Attenuation Values *	Attenuation Accuracy	VSWR (maximum)	RF Connectors
50FH-XXX-100	DC-1000 MHz	1 thru 50 dB in any 1 dB increment	+/- 0.3 dB	1.2:1	SMA, BNC, N, TNC or 7/16
50FH-XXX-100-2	DC-2000 MHz	1 thru 50 dB in any 1 dB increment	+/- 0.5 dB	1.3:1 DC-1000 MHz 1.4:1 1000-2000 MHz	SMA, BNC, N, TNC or 7/16
50FH-XXX-100-3	DC-3000 MHz	1 thru 50 dB in any 1 dB increment	+/- 0.5 dB	1.4:1	SMA, BNC, N, TNC or 7/16

* (XXX) insert attenuation value

Common Specifications			
Impedance	Input Power (average)	Peak Power	Operating Temperature
50 Ohms	100 Watts @ +25° C (derate to 50 Watts @ +85° C)	1000 Watts	-55° C to +100° C



This represents only 10% of our products. For YOUR application, contact JFW at 1-877-887-4JFW or sales@jfwindustries.com