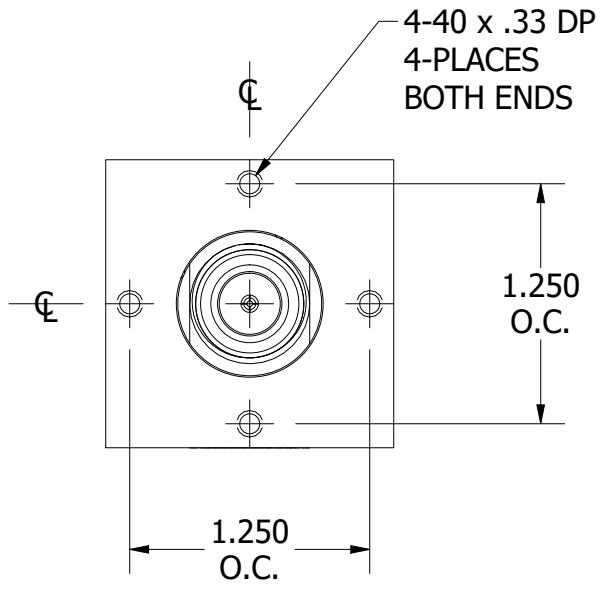


CONNECTOR	DIM. A ±.03
SMA MALE	.66
SMA FEMALE	.62
BNC MALE	.90
BNC FEMALE	.70
TNC MALE	.90
TNC FEMALE	.70
N MALE	1.05
N FEMALE	.83
7/16 MALE	1.91
7/16 FEMALE	1.83
4.1/9.5 MALE	1.05
4.1/9.5 FEMALE	1.05
4.3/10 MALE	1.16
4.3/10 FEMALE	1.12

NOTES: \* INSERT ATTENUATION VALUE i.e. 030 = 30dB  
 \*\* INSERT FREQ. RANGE i.e. 1 = 1GHz



REV	ECN	DATE	BY	APPR	REV	ECN	DATE	BY	APPR
-	ISSUED	11-30-83	---	---	P	24444	9-11-19	GM	JZ
A	2372	2-23-89	PT	TEZ					
B	3021	8-24-90	PT	TEZ					
C	3740	9-15-92	TEZ	FDW					
D	5096	10-1-96	JES	TEZ					
E	6398	9-5-00	CMB	TEZ					
F	6516	12-6-00	CDJ	TEZ					
G	6989	1-24-02	CMB	TEZ					
H	7547	9-2-03	TEZ	FDW					
J	7639	11-12-03	TEZ	FDW					
K	7697	12-29-03	BZ	TEZ					
L	12597	4-5-06	TEZ	BAC					
M	21668	6-20-12	BZ	TEZ					
N	26009	12-15-15	JZ	TEZ					

## JFW INDUSTRIES, INC.

www.jfwindustries.com      PH: 317-887-1340

MATERIAL	ALUMINUM ALLOY	PROPRIETARY INFORMATION
FINISH	BLACK ANODIZE	ALL SURFACES ARE TO BE FREE OF BURRS, PITS & SCRATCHES
MODEL	50FH-XXX-30	TOLERANCES .XX±.010 .XXX±.005 XX*±.5°
DESCRIPTION	FIXED ATTENUATOR	DWG # <b>092-311</b>