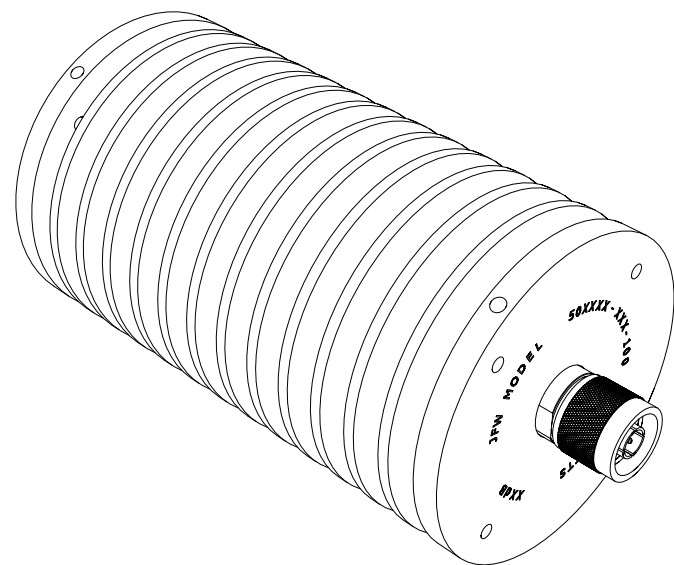
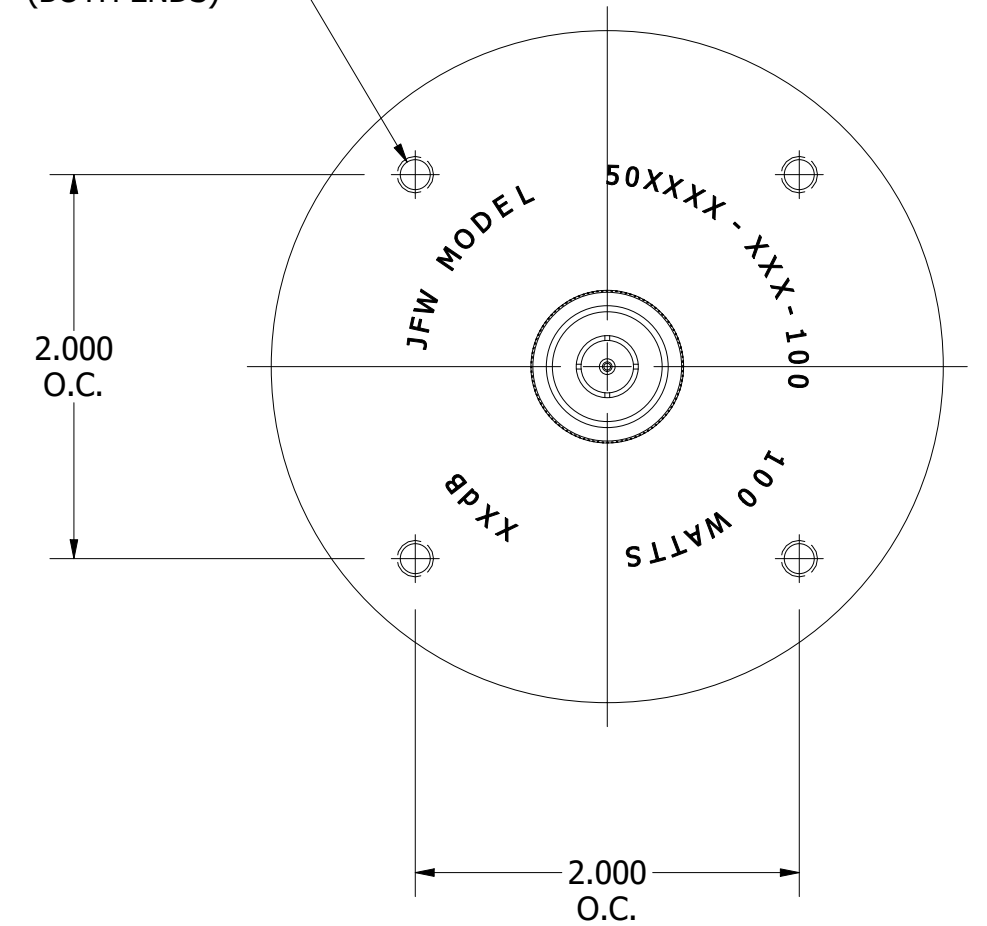



10-32 x .38 DP
4-PLACES
(BOTH ENDS)



CONNECTOR	DIM. A ±.03
N MALE	.88
N FEMALE	.96
SMA MALE	.64
SMA FEMALE	.60
TNC MALE	.88
TNC FEMALE	.67
BNC MALE	.88
BNC FEMALE	.67
7/16 MALE	1.89
7/16 FEMALE	1.80
4.1/9.5 MALE	.85
4.1/9.5 FEMALE	.96
4.3/10 MALE	.85
4.3/10 FEMALE	1.03

* INSERT NOMINAL ATTEN. i.e. 006 = 6dB

REV	ECN	DATE	BY	APPR	 JFW INDUSTRIES, INC. www.jfwindustries.com PH: 317-887-1340	
-	ISSUED	12-27-01	MH	TEZ	MATERIAL ALUMINUM ALLOY	
A	14183	5-14-07	BZ	TEZ	FINISH BLACK ANODIZE	
B	15119	1-4-08	BZ	TEZ	MODEL 50XXXX-XXX-100	
C	20487	8-22-11	JZ	TEZ	SCALE FULL	PROPRIETARY INFORMATION
D	22423	1-23-13	JZ	CDJ	ALL SURFACES ARE TO BE FREE OF BURRS, PITS & SCRATCHES	
E	26009	12-15-15	JZ	TEZ	TOLERANCES .XX±.010 .XXX±.005 XX*±.5°	
F	28454	1-24-18	TEZ	TEZ	DESCRIPTION 100 WATT FIXED ATTENUATOR	
G	24444	9-11-19	GM	TEZ	DWG # 092-3164	