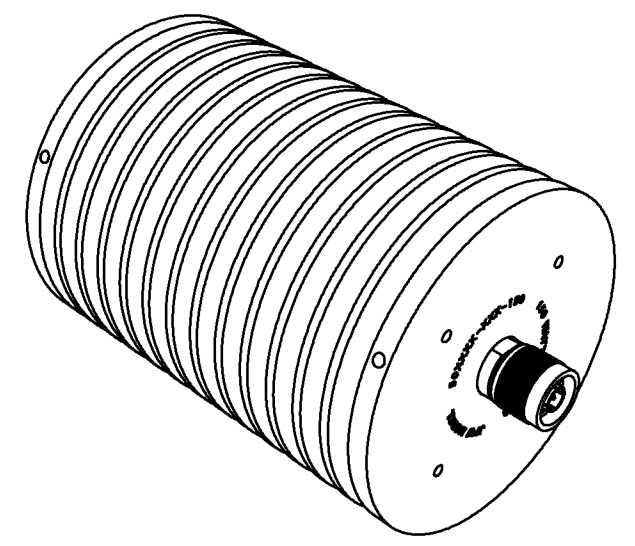



| CONNECTOR      | DIM. A ±.03 |
|----------------|-------------|
| SMA MALE       | .64         |
| SMA FEMALE     | .60         |
| BNC MALE       | .88         |
| BNC FEMALE     | .67         |
| TNC MALE       | .88         |
| TNC FEMALE     | .67         |
| N MALE         | .88         |
| N FEMALE       | .96         |
| 7/16 MALE      | 1.89        |
| 7/16 FEMALE    | 1.80        |
| 4.1/9.5 MALE   | .85         |
| 4.1/9.5 FEMALE | .96         |
| 4.3/10 MALE    | .85         |
| 4.3/10 FEMALE  | 1.03        |



\*INSERT NOMINAL dB VALUE i.e. 003 = 3dB

| REV | ECN    | DATE     | BY  | APPR |  <b>JFW INDUSTRIES, INC.</b><br>www.jfwindustries.com PH: 317-887-1340 |                     |  |
|-----|--------|----------|-----|------|---|---------------------|--|
| -   | ISSUED | 12-20-01 | CB  | TEZ  |   |                     |  |
| A   | 7912   | 6-30-04  | RLT | TEZ  |   |                     |  |
| B   | 14181  | 5-14-07  | BZ  | TEZ  |   |                     |  |
| C   | 14370  | 7-9-07   | BZ  | TEZ  |   |                     |  |
| D   | 20487  | 8-22-11  | JZ  | TEZ  |   |                     |  |
| E   | 21669  | 6-20-12  | TEZ | TEZ  |   |                     |  |
| F   | 26009  | 12-15-15 | JZ  | TEZ  |   |                     |  |
| G   | 28454  | 1-24-18  | TEZ | TEZ  |   |                     |  |
| H   | 24444  | 9-11-19  | GM  | TEZ  |   |                     |  |
| J   | 30230  | 2-28-20  | GM  | JZ   |   |                     |  |
|     |        |          |     |      | MATERIAL  | ALUMINUM ALLOY      | PROPRIETARY INFORMATION                                |
|     |        |          |     |      | FINISH  | BLACK ANODIZE       | ALL SURFACES ARE TO BE FREE OF BURRS, PITS & SCRATCHES |
|     |        |          |     |      | MODEL   | 50XXX-XXX-150       | TOLERANCES<br>.XX±.010 .XXX±.005 XX°±.5°               |
|     |        |          |     |      | SCALE   | FULL                | DWG #  |
|     |        |          |     |      | DESCRIPTION   | 150 WATT ATTENUATOR | 092-3847   |