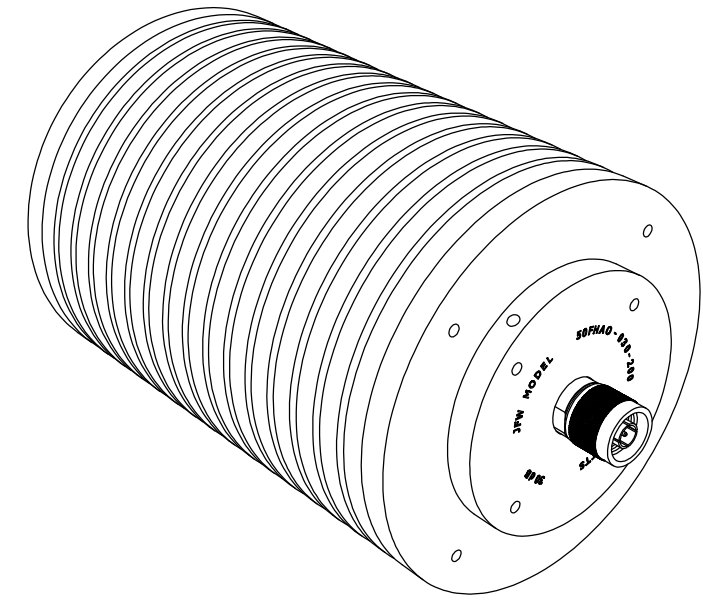



CONNECTOR	DIM. A ±.03
N MALE	.88
N FEMALE	.96
SMA MALE	.64
SMA MALE	.60
TNC MALE	.88
TNC FEMALE	.67
BNC MALE	.88
BNC FEMALE	.67
7/16 MALE	1.89
7/16 FEMALE	1.80
4.1/9.5 MALE	.85
4.1/9.5 FEMALE	.96
4.3/10 MALE	.85
4.3/10 FEMALE	1.03



\* INSERT NOMINAL ATTENUATION i.e. 010 = 10dB

REV	ECN	DATE	BY	APPR	 <b>JFW INDUSTRIES, INC.</b> <a href="http://www.jfwindustries.com">www.jfwindustries.com</a> PH: 317-887-1340	
-	ISSUED	1-27-01	TEZ	FDW	MATERIAL ALUMINUM ALLOY PROPRIETARY INFORMATION	
A	7102	4-24-02	CMB	TEZ	FINISH BLACK ANODIZE ALL SURFACES ARE TO BE FREE OF BURRS, PITS & SCRATCHES	
B	12474	2-27-06	TEZ	TEZ	MODEL 50FHXX-XXX-200 SCALE 1/2 TOLERANCES .XX±.010 .XXX±.005 XX°±.5°	
C	16165	8-1-08	BZ	TEZ	DESCRIPTION 200 WATT FIXED ATTENUATOR DWG # 092-3728	
D	16865	2-25-09	TEZ	TEZ		
E	21669	6-20-12	TEZ	TEZ		
F	25324	5-12-15	BZ	TEZ		
G	25351	5-19-15	BZ	TEZ		
H	26009	12-15-15	JZ	TEZ		
J	27007	8-30-16	TB	TEZ		