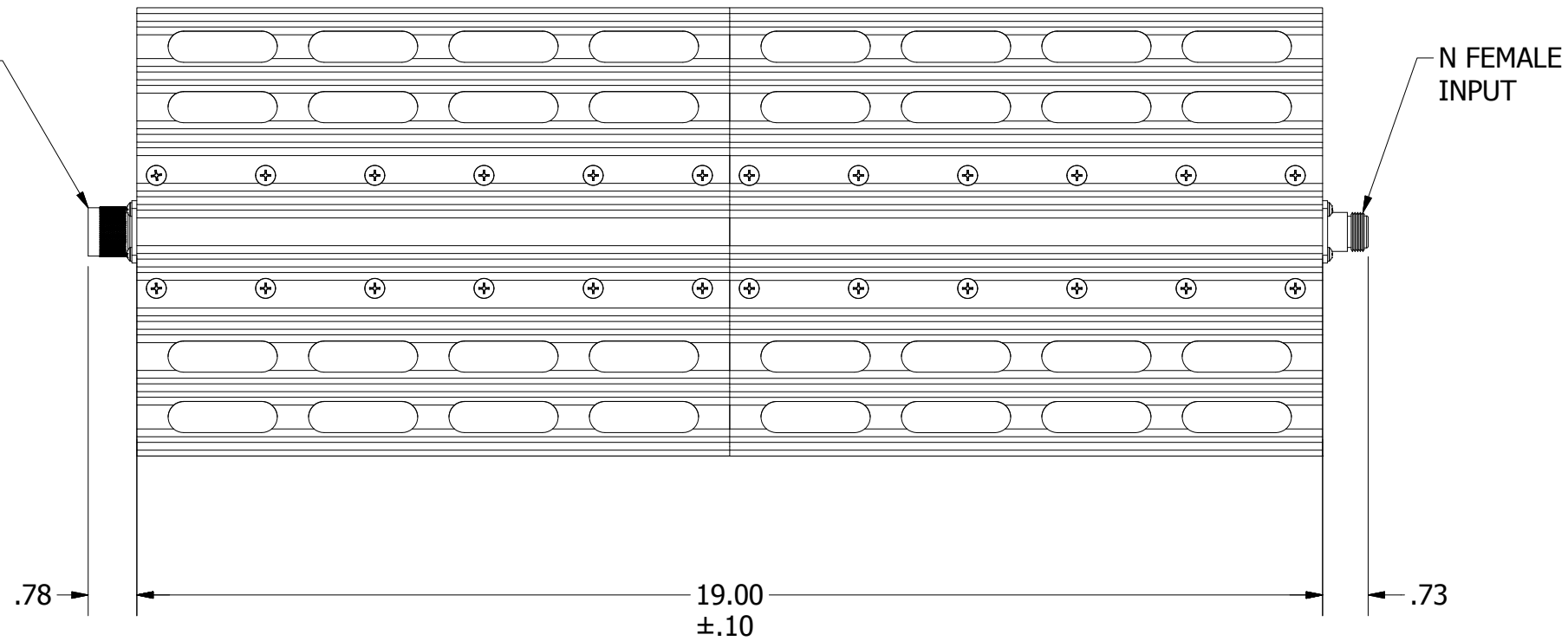
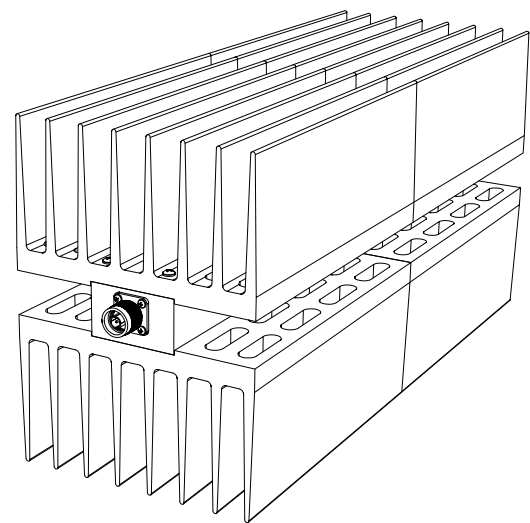
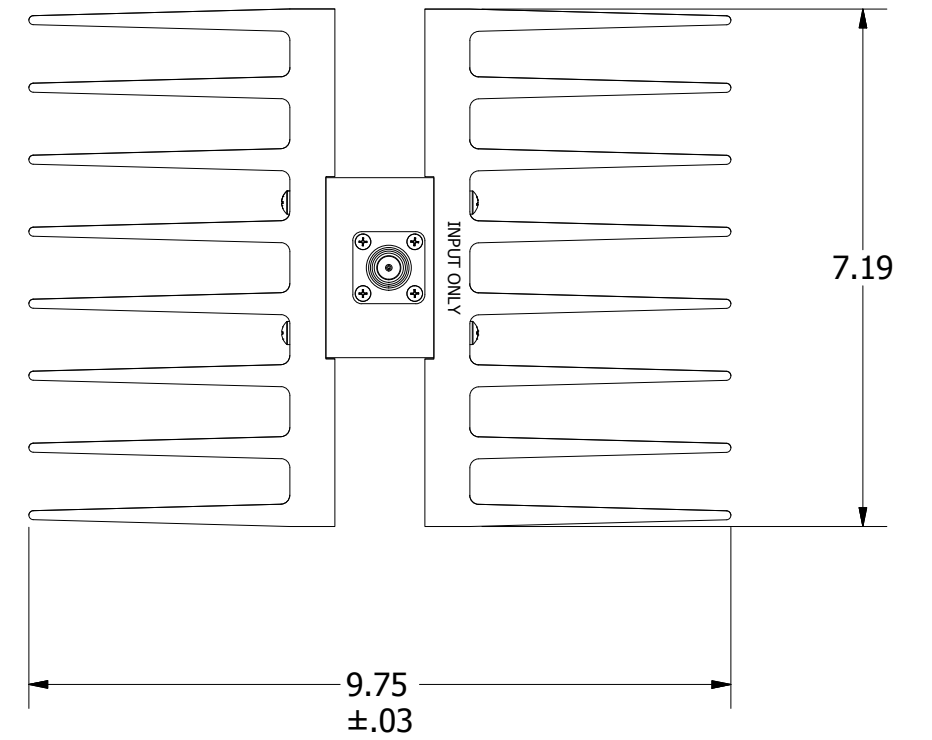



N MALE
OUTPUT



N FEMALE
INPUT

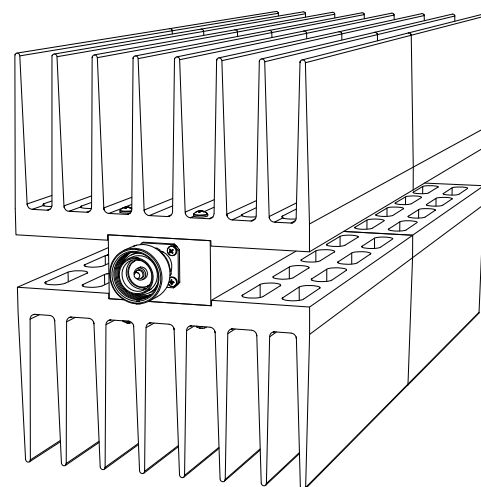
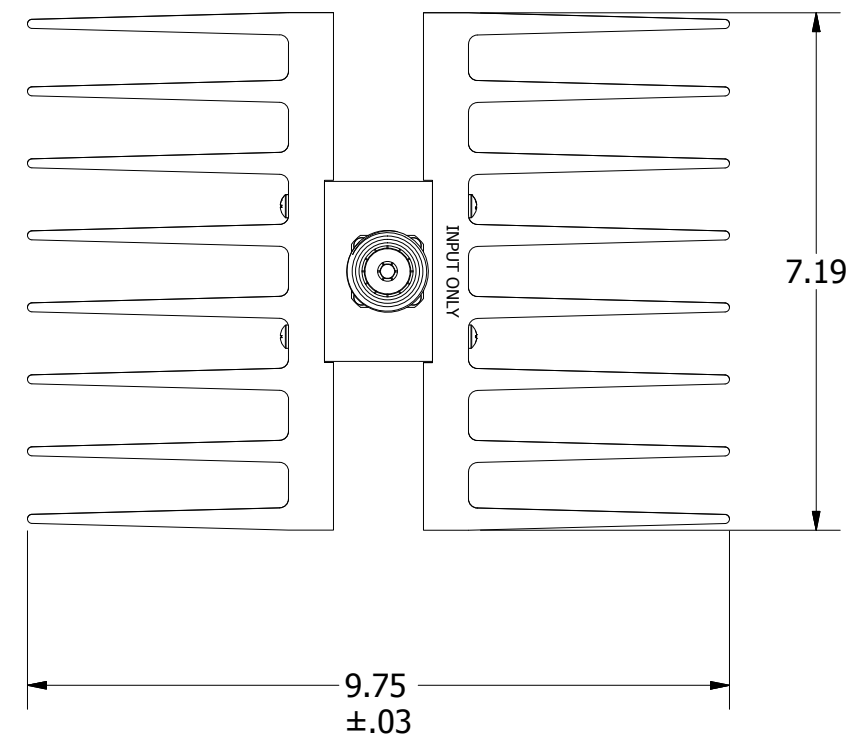
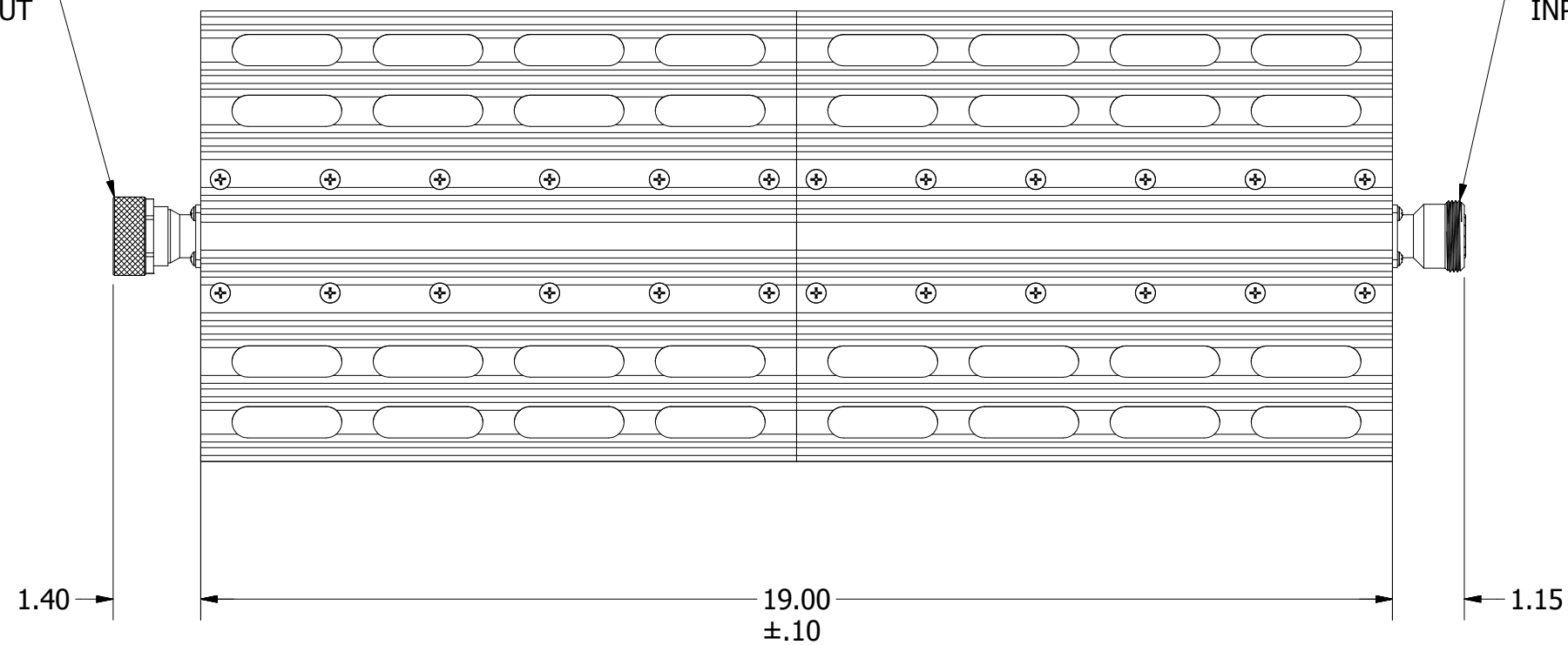


REV	ECN	DATE	BY	APPR
-	ISSUED	2-10-09	BZ	TEZ
A	27873	6-13-17	CDC	TEZ

		JFW INDUSTRIES, INC. www.jfwindustries.com		PH: 317-887-1340
		MATERIAL ALUMINUM ALLOY		PROPRIETARY INFORMATION
FINISH CHEMFILM TCP / HEATSINK: BLACK ANODIZE		ALL SURFACES ARE TO BE FREE OF BURRS, PITS & SCRATCHES		TOLERANCES .XX±.010 .XXX±.005 XX°±.5°
MODEL 50FHXX-XXX-1000		SCALE 3/8	DWG #	
DESCRIPTION 1000 WATT FIXED ATTENUATOR		092-6086		

7/16 MALE
OUTPUT

7/16 FEMALE
INPUT



REV	ECN	DATE	BY	APPR
-	ISSUED	8-7-09	TEZ	TEZ
A	27873	6-14-17	CDC	TEZ

JFW INDUSTRIES, INC.

www.jfwindustries.com PH: 317-887-1340

MATERIAL	ALUMINUM ALLOY	PROPRIETARY INFORMATION
FINISH	CHEMFILM TCP / HEATSINK: BLACK ANODIZE	ALL SURFACES ARE TO BE FREE OF BURRS, PITS & SCRATCHES
MODEL	50FHIE-XXX-1000	TOLERANCES .XX±.010 .XXX±.005 XX°±.5°
DESCRIPTION	1000 WATT FIXED ATTENUATOR	DWG # 092-6253