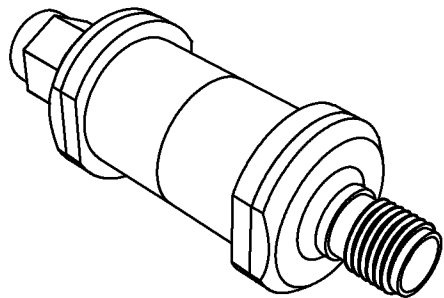
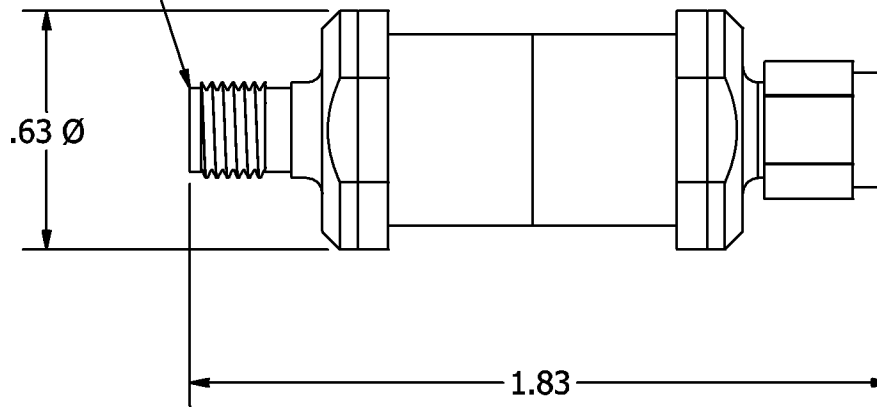


SMA FEMALE

SMA MALE



| REV | ECN | DATE | BY | APPR |
|-----|--------|---------|-----|------|
| - | ISSUED | 1-18-13 | TEZ | TEZ |
| A | 24444 | 9-5-19 | GM | JZ |
| B | 30613 | 8-21-20 | JZ | JZ |
| | | | | |
| | | | | |
| | | | | |
| | | | | |
| | | | | |
| | | | | |
| | | | | |



JFW INDUSTRIES, INC.

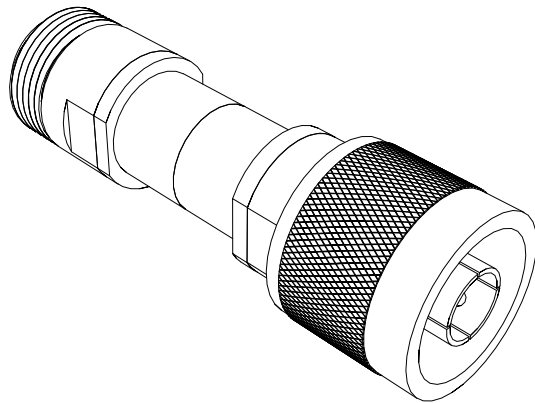
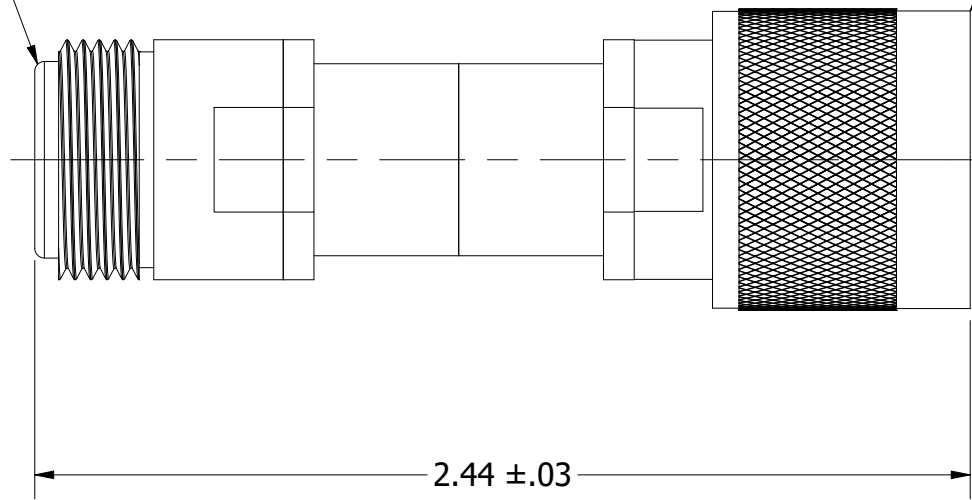
www.jfwindustries.com

PH: 317-887-1340

| | |
|-------------------|--|
| MATERIAL | PROPRIETARY INFORMATION |
| FINISH | ALL SURFACES ARE TO BE FREE OF BURRS, PITS & SCRATCHES |
| MODEL | SCALE x2 |
| DESCRIPTION | TOLERANCES .XX±.010 .XXX±.005 XX°±.5° |
| SMA MALE / FEMALE | DWG # 092-1324-01 |

N FEMALE

N MALE



| REV | ECN | DATE | BY | APPR |
|-----|--------|---------|-----|------|
| - | ISSUED | 3-3-03 | TEZ | TEZ |
| A | 7558 | 9-22-03 | TEZ | TEZ |
| B | 14315 | 6-26-07 | TEZ | TEZ |
| C | 24444 | 9-12-19 | GM | JZ |
| | | | | |
| | | | | |
| | | | | |
| | | | | |
| | | | | |
| | | | | |
| | | | | |



JFW INDUSTRIES, INC.

www.jfwindustries.com

PH: 317-887-1340

| | |
|-------------------|--|
| MATERIAL | PROPRIETARY INFORMATION |
| FINISH | ALL SURFACES ARE TO BE FREE OF BURRS, PITS & SCRATCHES |
| MODEL | TOLERANCES |
| DESCRIPTION | .XX±.010 .XXX±.005 XX°±.5° |
| | DWG # |
| N FEMALE / N MALE | 092-4159 |

SCALE
x2