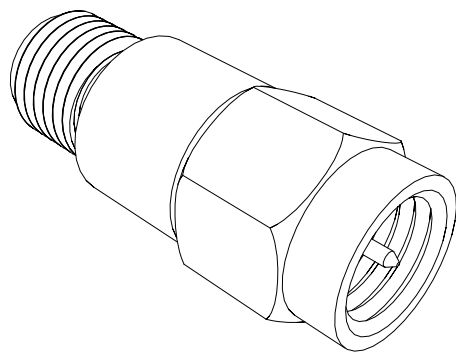
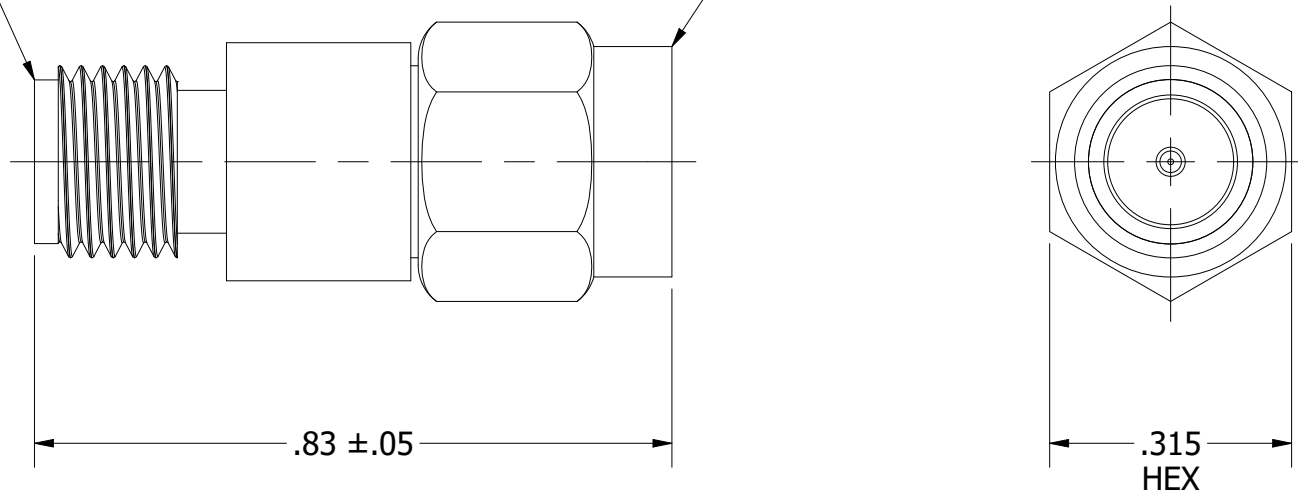


SMA FEMALE

SMA MALE



* INSERT dB VALUE i.e. 006 = 6 dB (1-20 dB)

REV	ECN	DATE	BY	APPR
-	ISSUED	3-9-10	BZ	SMR
A	20374	7-28-11	JZ	TEZ
B	24444	9-18-19	GM	JZ



JFW INDUSTRIES, INC.

www.jfwindustries.com

PH: 317-887-1340

MATERIAL	PROPRIETARY INFORMATION	
FINISH	ALL SURFACES ARE TO BE FREE OF BURRS, PITS & SCRATCHES	
MODEL	50FR-XXX*	SCALE x4
DESCRIPTION	FIXED ATTENUATOR	TOLERANCES .XX±.010 .XXX±.005 XX°±.5° DWG # 092-6486