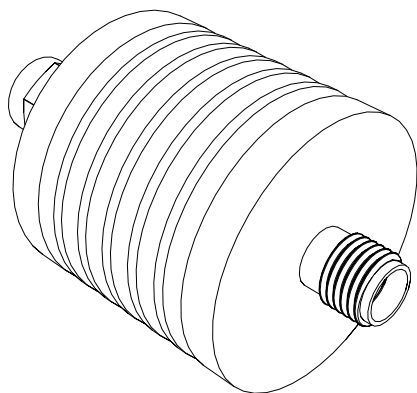
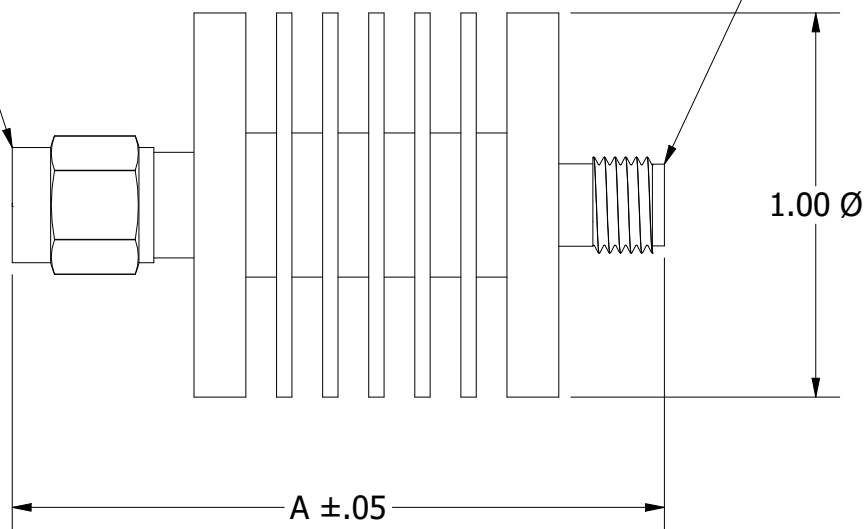


SMA CONNECTOR

SMA CONNECTOR

NOTE
 UNIT WILL BE MARKED WITH:
 JFW MODEL NUMBER, POWER
 RATING, ATTENUATION VALUE
 AND FREQUENCY RANGE



SMA CONNECTOR	DIM A 0-20 dB	DIM A 30 & 40 dB
MALE/FEMALE	1.70	1.95
FEMALE/FEMALE	1.57	1.82
MALE/MALE	1.83	2.07

* INSERT ATTEN VALUE i.e. 006 = 6dB

REV	ECN	DATE	BY	APPR
-	ISSUED	2-24-04	TEZ	FDW
A	16114	7-18-08	BZ	TEZ
B	18957	8-4-10	BZ	TEZ
C	24444	9-12-19	GM	JZ

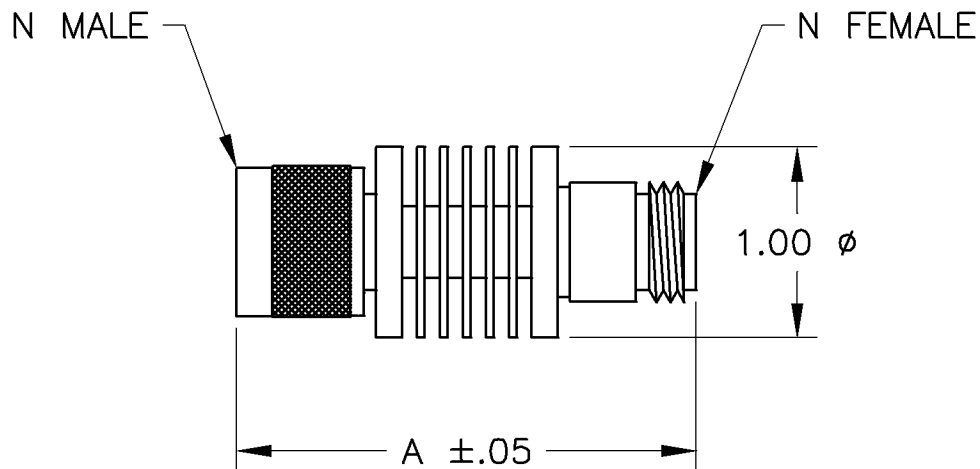


JFW INDUSTRIES, INC.

www.jfwindustries.com

PH: 317-887-1340

MATERIAL	ALUMINUM ALLOY	PROPRIETARY INFORMATION
FINISH	BLACK ANODIZE	ALL SURFACES ARE TO BE FREE OF BURRS, PITS & SCRATCHES
MODEL	50HF-XXX-10 SMA	TOLERANCES .XX±.010 .XXX±.005 XX°±.5°
DESCRIPTION	10 WATT FIXED ATTENUATOR	DWG # 092-4417




DIM A	DIM A
0-20 dB	30 & 40 dB
2.41	2.66

* NOTE: INSERT dB VALUE i.e. 006=6dB

NOTE

UNIT WILL BE MARKED WITH:
JFW MODEL NUMBER, POWER
RATING, ATTENUATION VALUE
AND FREQUENCY RANGE.

REV	ECN	DATE	BY	APPR	 JFW INDUSTRIES, INC. www.jfwindustries.com PH: 317-887-1340	
-	ISSUED	11-19-08	BZ	TEZ	PROPRIETARY INFORMATION	
A	22413	1-22-13	JZ	TEZ	ALL SURFACES ARE TO BE FREE OF BURRS, PITS, & SCRATCHES	
					MATERIAL	ALUMINUM ALLOY
					FINISH	BLACK ANODIZE
					MODEL	50HF- [*] XXX-10 SCALE FULL
					DESCRIPTION	10 WATT FIXED ATTENUATOR
						TOLERANCES .XX±.010 .XXX±.005 XX±.5'
						DWG # 092-5999