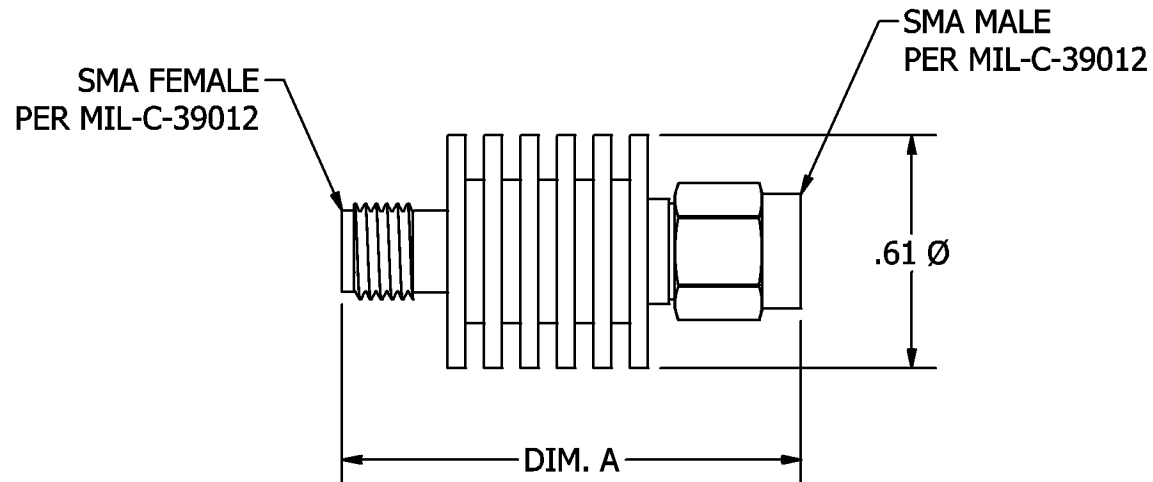
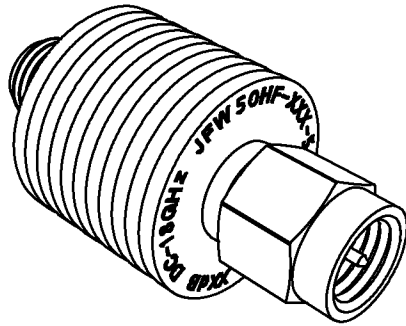



NOTE

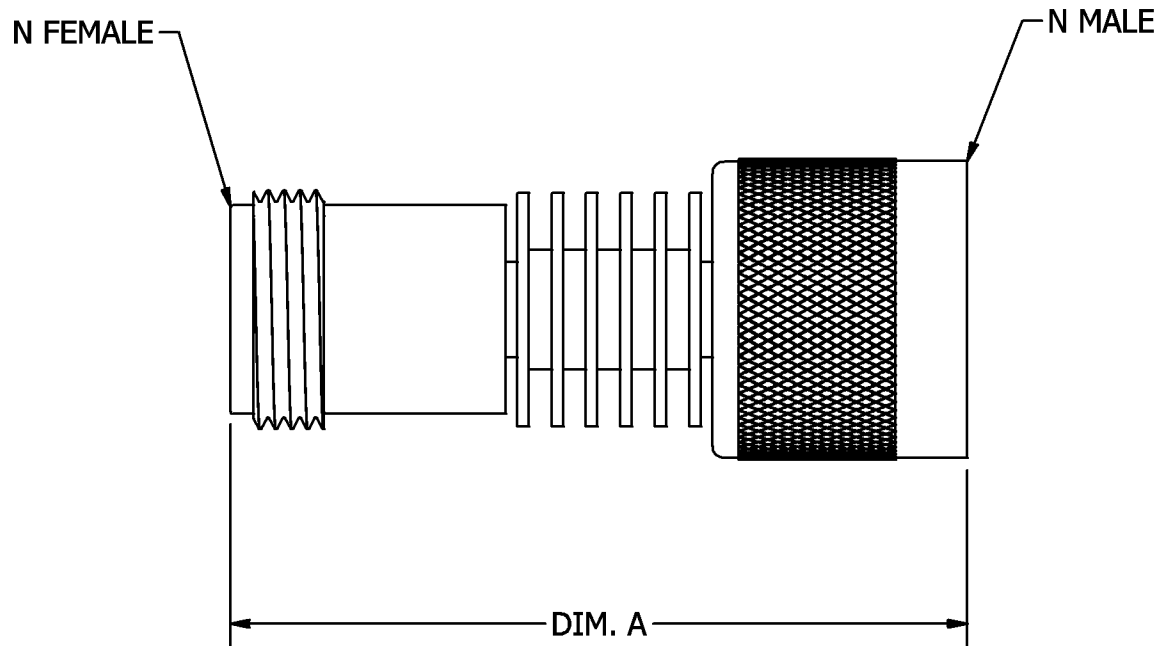
UNIT WILL BE MARKED:
JFW MODEL NUMBER, POWER
RATING, ATTENUATION VALUE
AND FREQUENCY RANGE.



* INSERT dB VALUE i.e. 006 = 6dB

| CONNECTOR | DIM. A |
|-----------------|-----------|
| MALE / FEMALE | 1.20 ±.05 |
| MALE / MALE | 1.33 ±.05 |
| FEMALE / FEMALE | 1.06 ±.05 |

| REV | ECN | DATE | BY | APPR |  JFW INDUSTRIES, INC. www.jfwindustries.com PH: 317-887-1340 | |
|-----|--------|---------|-----|------|--|---|
| - | ISSUED | - | - | - | MATERIAL | CONN: STAINLESS STEEL/HEATSINK: ALUMINUM |
| A | 4031 | 8-18-93 | PT | TEZ | FINISH | CONN: PASSIVATED/HEATSINK: BLACK ANODIZED |
| B | 6071 | 7-30-99 | TEZ | FDW | MODEL | 50HF-XXX-5 |
| C | 7737 | 2-10-04 | BZ | TEZ | SCALE | x2 |
| D | 12302 | 1-9-06 | TEZ | CLK | DESCRIPTION | 5 WATT FIXED ATTENUATOR |
| E | 18957 | 8-4-10 | BZ | TEZ | TOLERANCES | .XX±.010 .XXX±.005 XX°±.5° |
| F | 29290 | 1-24-18 | JZ | TEZ | DWG # | 092-1022 |
| G | 30197 | 2-13-20 | GM | JZ | | |



* INSERT dB VALUE i.e. 006 = 6dB

| CONNECTOR | DIM. A |
|-----------------|-----------|
| MALE / FEMALE | 1.90 ±.05 |
| MALE / MALE | 1.82 ±.05 |
| FEMALE / FEMALE | 1.99 ±.05 |

| REV | ECN | DATE | BY | APPR |
|-----|--------|----------|-----|------|
| - | ISSUED | 7-15-92 | TEZ | FDW |
| A | 6129 | 10-12-99 | TEZ | FDW |
| B | 7743 | 2-13-04 | BZ | TEZ |
| C | 24444 | 9-6-19 | GM | JZ |
| D | 30197 | 2-13-20 | GM | JZ |



JFW INDUSTRIES, INC.

www.jfwindustries.com

PH: 317-887-1340

| | | |
|-------------|--|--|
| MATERIAL | CONN: STAINLESS STEEL / HEATSINK: ALUMINUM | PROPRIETARY INFORMATION |
| FINISH | CONN: PASSIVATED / HEATSINK: BLACK ANODIZE | ALL SURFACES ARE TO BE FREE OF BURRS, PITS & SCRATCHES |
| MODEL | 50HF-XXX-5 | TOLERANCES .XX±.010 .XXX±.005 XX°±.5° |
| DESCRIPTION | 5 WATT FIXED ATTENUATOR | DWG # 092-1870 |