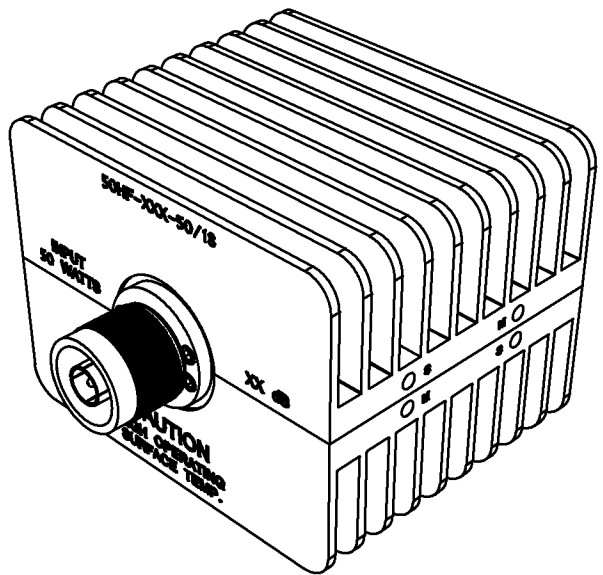
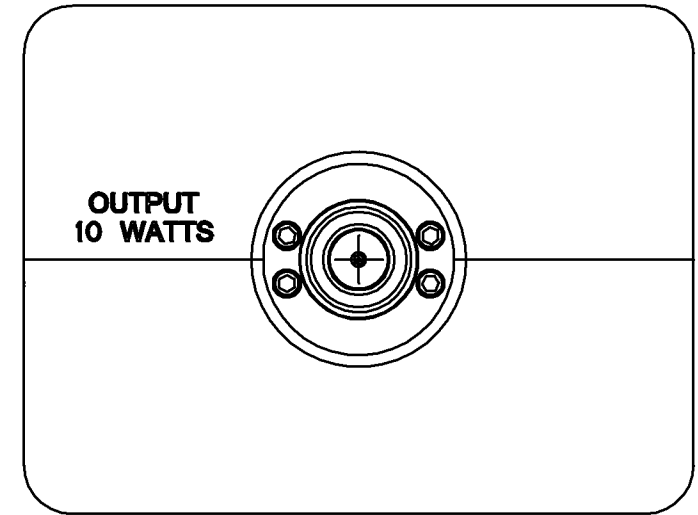
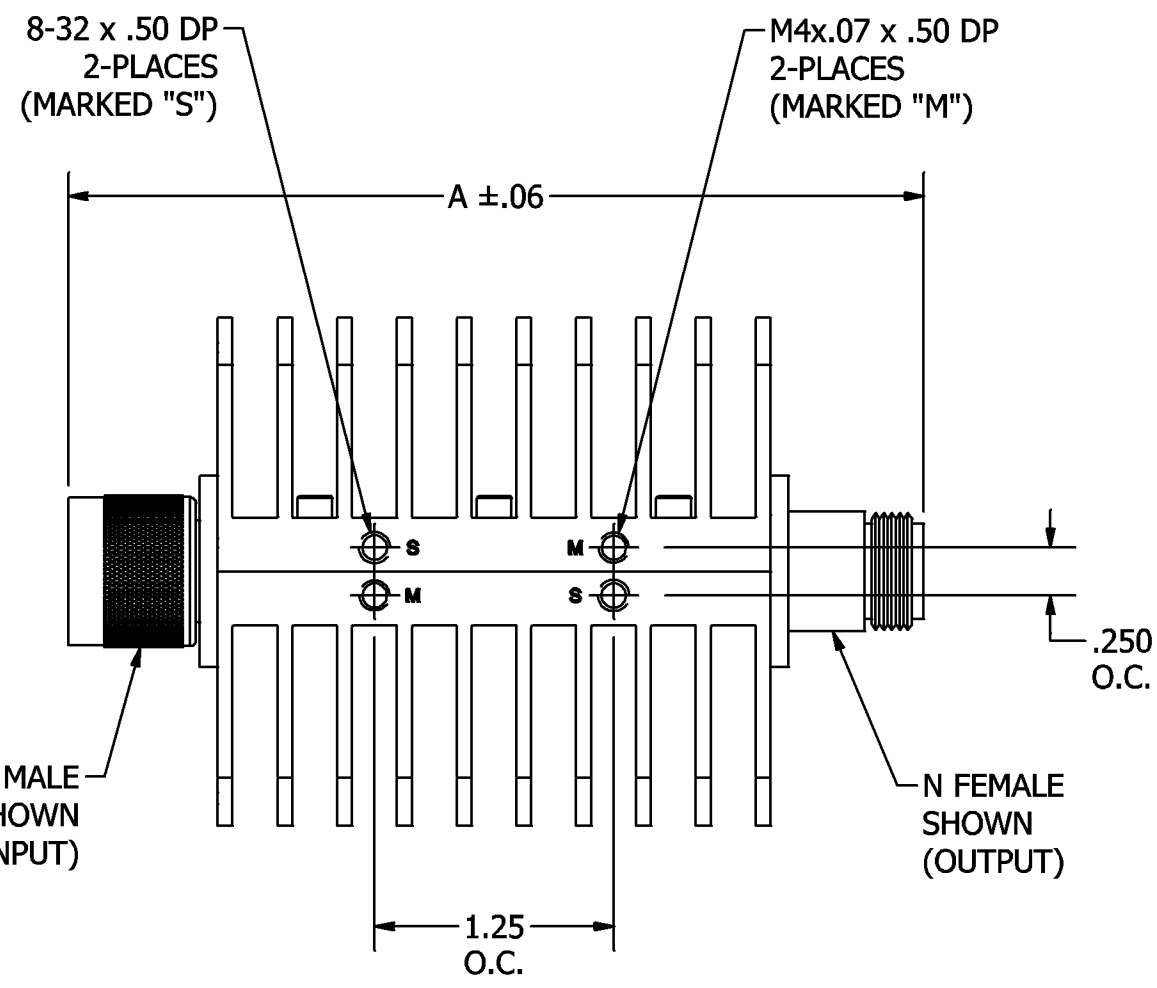


UNIT TO BE MARKED AS SHOWN



CONN. TYPE	A
N	4.50
SMA	3.79
TNC	4.66

UNIT IS UNI-DIRECTIONAL

REV	ECN	DATE	BY	APPR
-	ISSUED	1-24-97	CDJ	FDW
A	12887	6-2-06	TEZ	TEZ
B	21251	2-14-12	JZ	TRS
C	22005	10-15-12	BZ	JZ
D	22913	6-6-13	JZ	TEZ
E	27564	2-15-17	JZ	TEZ



JFW INDUSTRIES, INC.

www.jfwindustries.com

PH: 317-887-1340

MATERIAL	ALUMINUM ALLOY	PROPRIETARY INFORMATION
FINISH	BLACK ANODIZE	ALL SURFACES ARE TO BE FREE OF BURRS, PITS & SCRATCHES
MODEL	50HF-XXX-50/18	TOLERANCES .XX±.010 .XXX±.005 XX°±.5°
DESCRIPTION	50 WATT FIXED ATTENUATOR	DWG #
		092-2541