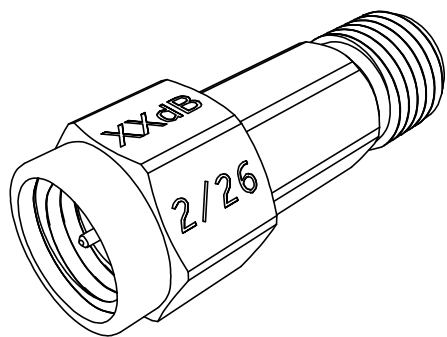


LASER MARKING NOTES:

XXdB = ATTENUATION VALUE i.e. 10dB

2/26 = 2 WATTS / DC-26.5GHz



REV	ECN	DATE	BY	APPR
-	ISSUED	3-12-2024	GM	JZ
A	33281	4-1-2024	JZ	TRS



**JFW INDUSTRIES, INC.**

[www.jfwindustries.com](http://www.jfwindustries.com)

PH: 317-887-1340

MATERIAL	BODY: STAINLESS STEEL / CONTACT: BRASS	PROPRIETARY INFORMATION
FINISH	BODY: PASSIVATED / CONTACT: GOLD	ALL SURFACES ARE TO BE FREE OF BURRS, PITS & SCRATCHES
MODEL	50HFFA-XXX-2/26SMA & 50HFFF-XXX-2/26SMA	TOLERANCES .XX±.010 .XXX±.005 XX°±.5°
SCALE	x4	DWG #
DESCRIPTION	2 WATT FIXED ATTENUATOR	092-10260