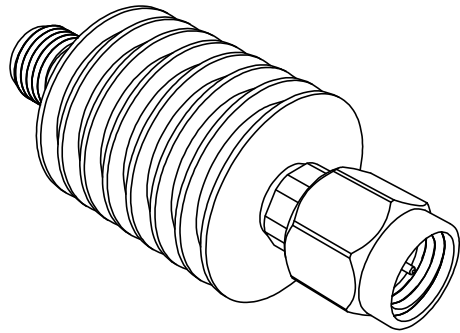
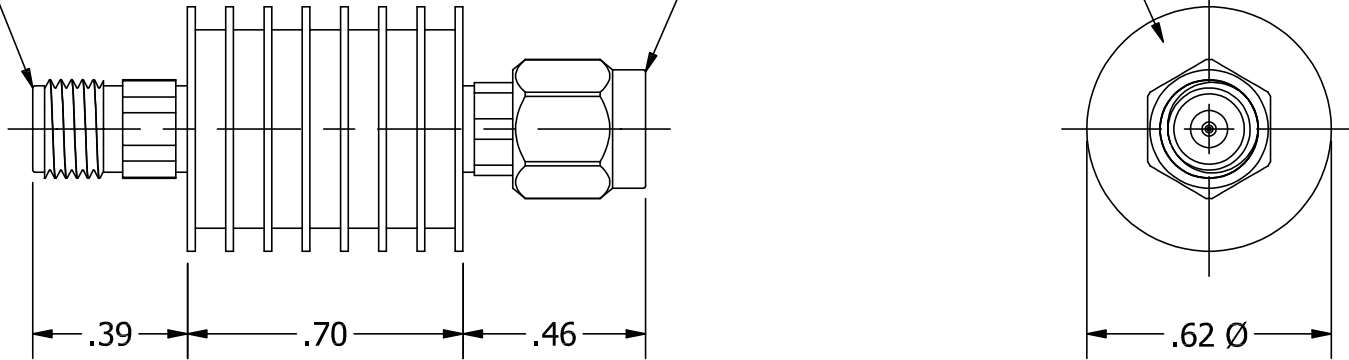


THIS END TO BE MARKED PER MODEL

2.9mm FEMALE

2.9mm MALE



REV	ECN	DATE	BY	APPR
-	ISSUED	8-31-2023	GM	JZ
A	32900	10-4-2023	GM	JZ



**JFW INDUSTRIES, INC.**

[www.jfwindustries.com](http://www.jfwindustries.com)

PH: 317-887-1340

MATERIAL	BODY: ALUMINUM / CONNECTOR: STAINLESS STEEL	PROPRIETARY INFORMATION
FINISH	BODY: BLACK ANODIZE / CONNECTOR: PASSIVATED	ALL SURFACES ARE TO BE FREE OF BURRS, PITS & SCRATCHES
MODEL	50HFFB-XXX-5/40 2.9MM	TOLERANCES .XX±.010 .XXX±.005 XX°±.5°
DESCRIPTION	5 WATT FIXED ATTENUATOR	DWG # 092-10140