
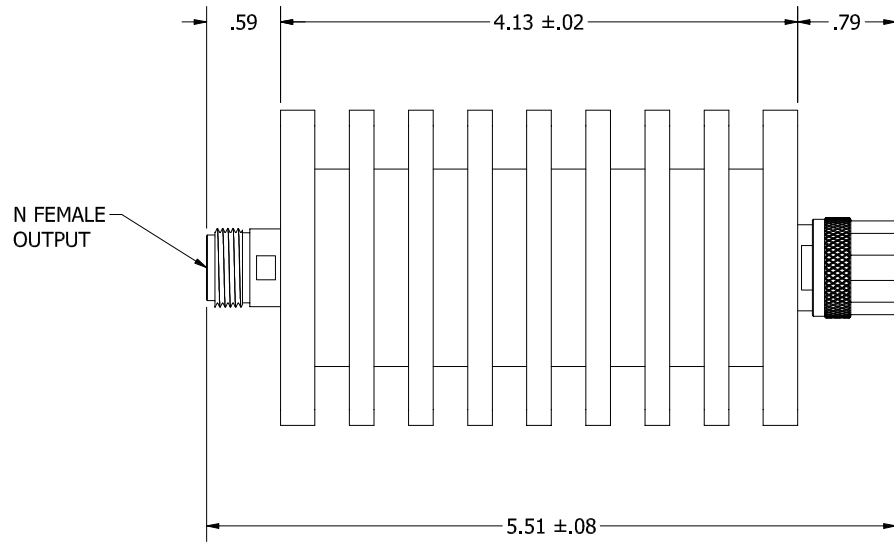


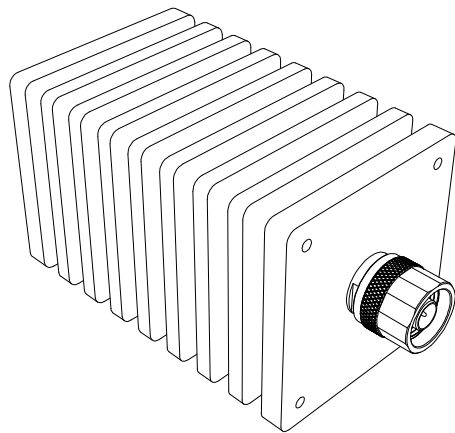
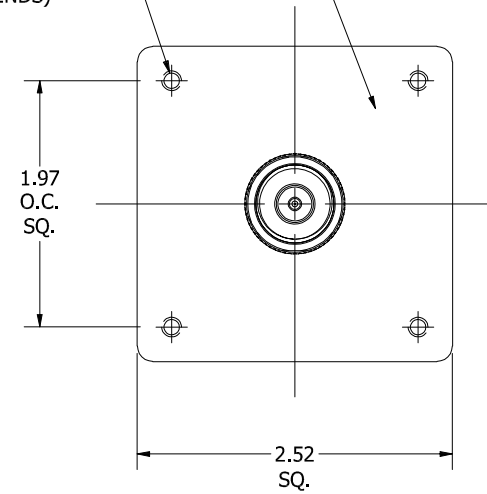
NOTE: THIS DRAWING FOR 6dB TO 40dB

REV	ECN	DATE	BY	APPR			
-	ISSUED	10-18-2023	GM	JZ			
					 JFW INDUSTRIES, INC. www.jfwindustries.com PH: 317-887-1340		
					MATERIAL	BODY: ALUMINUM / CONNECTOR: BRASS	PROPRIETARY INFORMATION
					FINISH	BODY: BLACK ANODIZE / CONNECTOR: TRI-METAL ALLOY	ALL SURFACES ARE TO BE FREE OF BURRS, PITS & SCRATCHES
					MODEL	50HFFE-XXX-100/6N	SCALE FULL
					TOLERANCES		.XX±.010 .XXX±.005 XX°±.5°
					DESCRIPTION		DWG #
					100 WATT FIXED ATTENUATOR		092-10180-01



BOTH ENDS TO BE MARKED PER MODEL

M4 THRU FIRST FIN
4-PLACES
(BOTH ENDS)



NOTE: THIS DRAWING FOR 3dB

REV	ECN	DATE	BY	APPR		
-	ISSUED	1-10-2024	GM	TRS		
					 JFW INDUSTRIES, INC. www.jfwindustries.com PH: 317-887-1340	
MATERIAL					BODY; ALUMINUM / CONTACT; BRASS	
FINISH					BODY; BLACK ANODIZE / CONTACT; TRI-METAL ALLOY	
MODEL					50HFFE-003-100/6N M/F	SCALE FULL
DESCRIPTION					100 WATT FIXED ATTENUATOR	
					PROPRIETARY INFORMATION ALL SURFACES ARE TO BE FREE OF BURRS, PITS & SCRATCHES TOLERANCES .XX±.010 .XXX±.005 XX°±.5° DWG #	
					092-10220-01	