

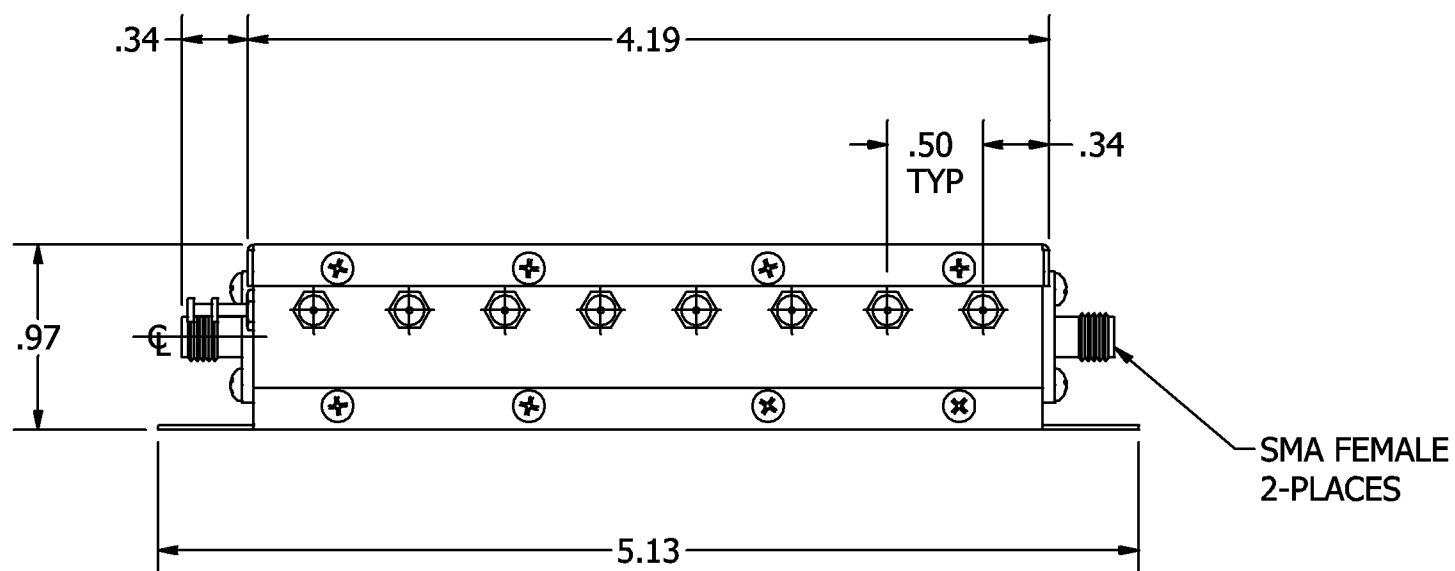
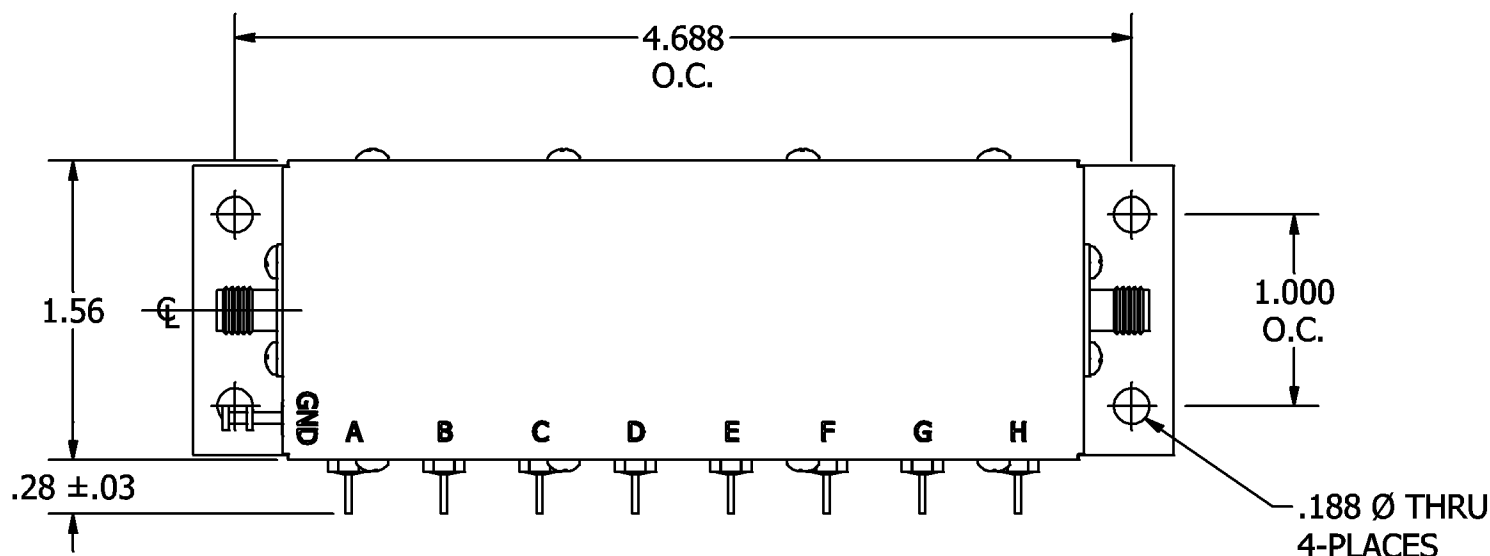
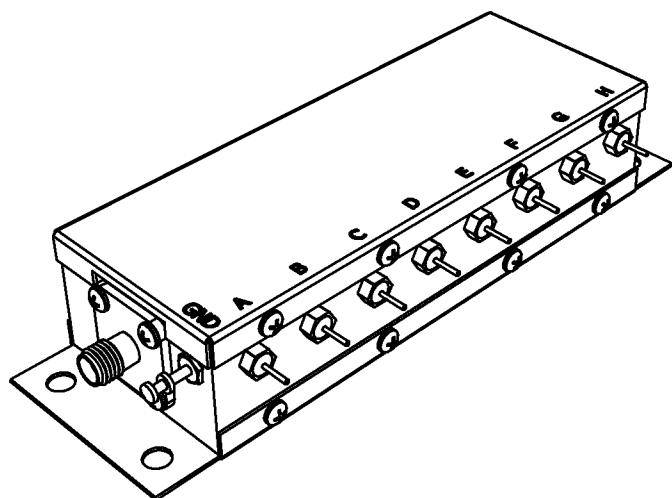
PIN	50P-1455/1654
A	.2dB
B	.4dB
C	.8dB
D	1dB
E	2dB
F	4dB
G	8dB
H	16dB

PIN	50P-1224
A	.5dB
B	1dB
C	2dB
D	4dB
E	8dB
F	16dB
G/H	32dB

PIN	50P-058/591/1245
A	1dB
B	2dB
C	4dB
D	8dB
E	10dB
F	20dB
G/H	40dB

PIN	50P-792/905
A	.1dB
B	.2dB
C	.4dB
D	.8dB
E	1.6dB
F	3.2dB
G	6.4dB
H	12.8dB

PIN	50P-1799
A	5dB
B	10dB
C	10dB
D	20dB
E/F	40dB
G/H	40dB



REV	ECN	DATE	BY	APPR	REV	ECN	DATE	BY	APPR
-	ISSUED	2-20-89	PT	FDW	P	24444	10-13-15	JZ	TEZ
A	3199	3-4-91	PT	FDW	Q	27900	05-31-17	CDC	TEZ
B	3671	6-29-92	TEZ	FDW					
C	4606	3-17-95	TEZ	FDW					
D	4826	11-22-95	CDJ	FDW					
E	4828	11-28-95	CDJ	FDW					
F	5326	7-18-97	PT	FDW					
G	5520	12-23-97	TEZ	FDW					
H	5964	3-18-99	PT	FDW					
J	6024	5-27-99	PT	FDW					
K	6083	8-9-99	TEZ	FDW					
L	6405	9-11-00	CMB	PT					
M	10103	11-1-04	DTS	TRS					
N	14917	10-31-07	BZ	TEZ					



JFW INDUSTRIES, INC.

www.jfwindustries.com

PH: 317-887-1340

MATERIAL	BRASS	PROPRIETARY INFORMATION
FINISH	NICKEL	ALL SURFACES ARE TO BE FREE OF BURRS, PITS & SCRATCHES
MODEL	50P-XXXX	TOLERANCES .XX±.010 .XXX±.005 XX°±.5°
DESCRIPTION	PROGRAMMABLE ATTENUATOR	DWG #
		092-1285