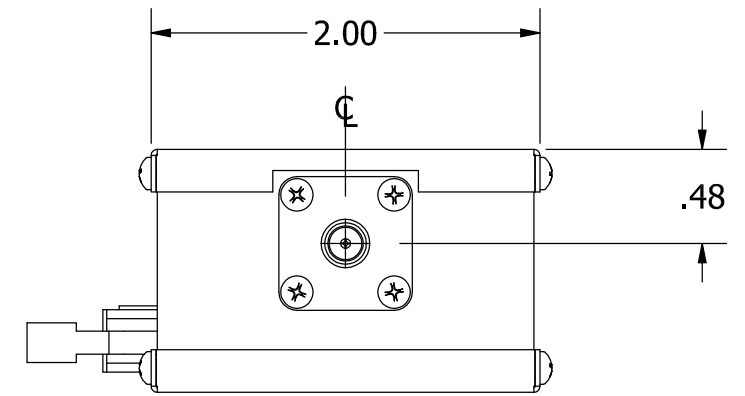
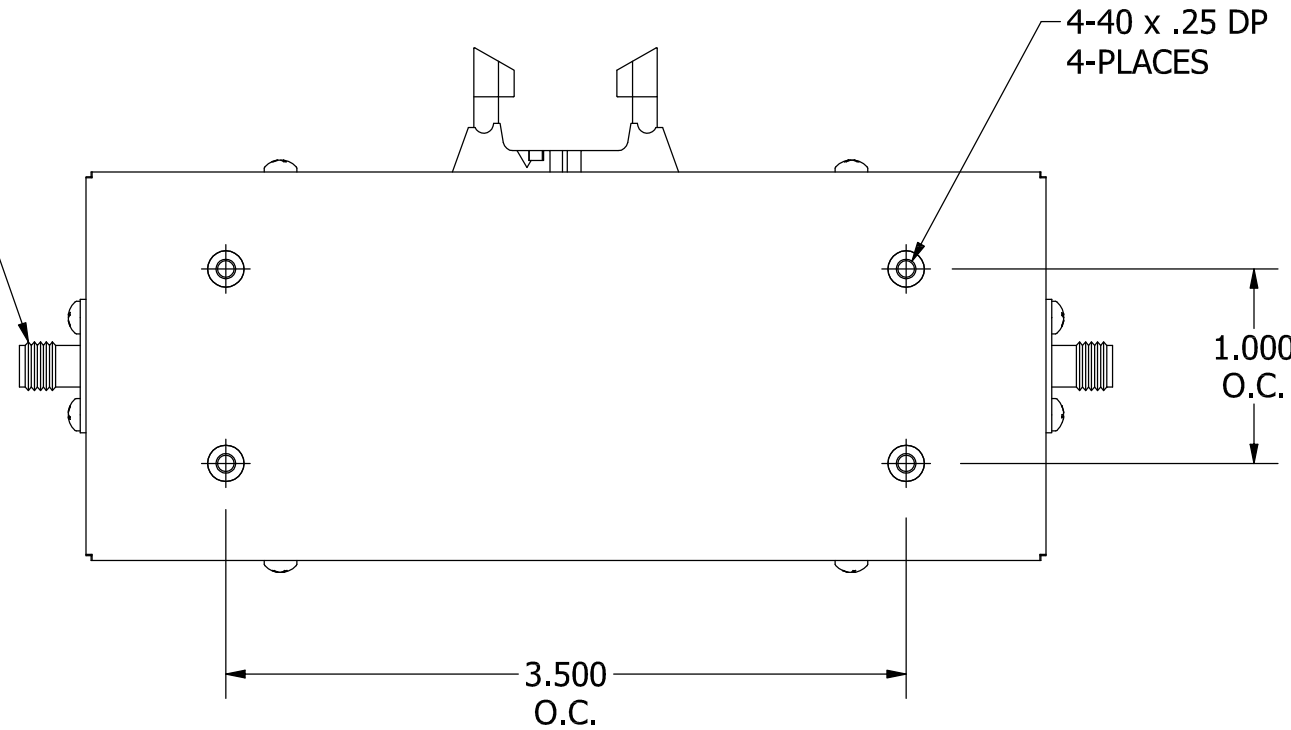


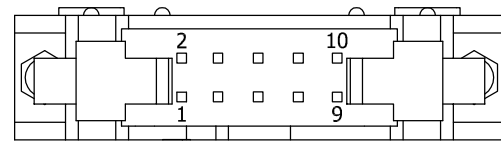
DETAIL A



SMA FEMALE
2-PLACES

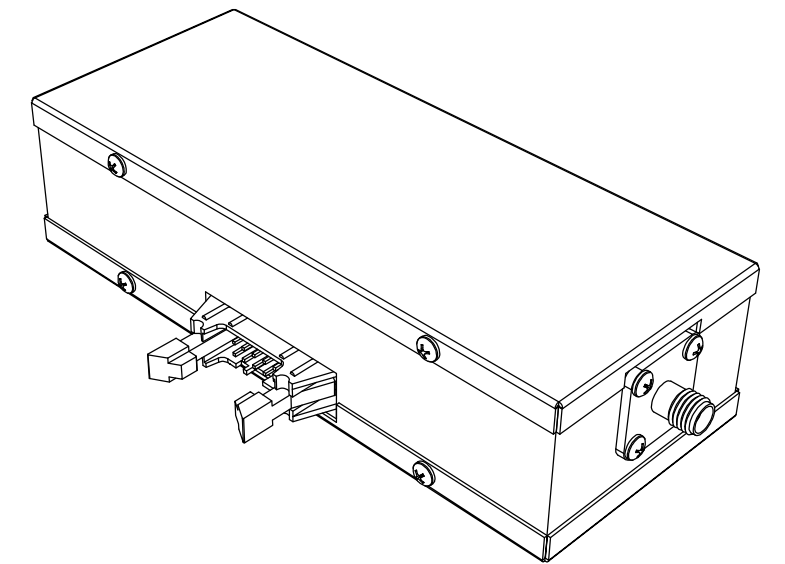


4-40 x .25 DP
4-PLACES



DETAIL A
3M# 3793-5303

PIN	FUNCTION
1	1dB TTL CONTROL
2	2dB TTL CONTROL
3	4dB TTL CONTROL
4	8dB TTL CONTROL
5	16dB TTL CONTROL
6	32dB TTL CONTROL
7	64dB TTL CONTROL
8	NO CONNECTION
9	+5 Vdc
10	GROUND



REV	ECN	DATE	BY	APPR
-	ISSUED	7-13-07	BZ	TEZ
A	24444	9-17-15	JZ	TEZ



JFW INDUSTRIES, INC.

www.jfwindustries.com

PH: 317-887-1340

MATERIAL	BRASS	PROPRIETARY INFORMATION
FINISH	NICKEL	ALL SURFACES ARE TO BE FREE OF BURRS, PITS & SCRATCHES
MODEL	50P-XXXX	TOLERANCES .XX±.010 .XXX±.005 XX°±.5°
DESCRIPTION	PROGRAMMABLE ATTENUATOR	DWG # 092-5535-03
SCALE	FULL	