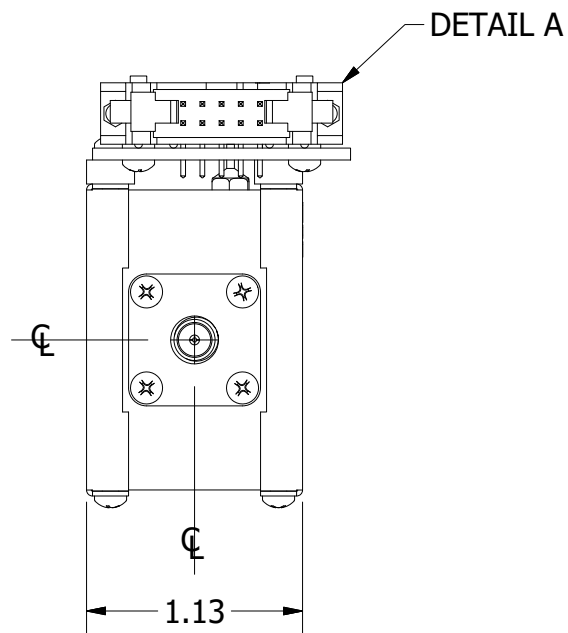
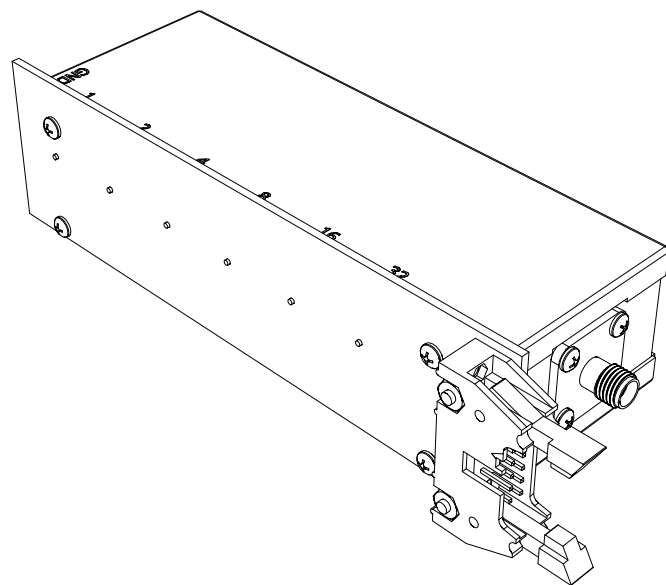


DETAIL A
3M# 3793-5303

PIN	FUNCTION
1	1dB TTL CONTROL
2	2dB TTL CONTROL
3	4dB TTL CONTROL
4	8dB TTL CONTROL
5	16dB TTL CONTROL
6	32dB TTL CONTROL
7	NO CONNECTION
8	NO CONNECTION
9	GROUND
10	+Vdc



REV	ECN	DATE	BY	APPR
-	ISSUED	4-15-18	BZ	TEZ
A	28938	8-8-18	TEZ	TEZ



JFW INDUSTRIES, INC.

www.jfwindustries.com

PH: 317-887-1340

MATERIAL	BRASS	PROPRIETARY INFORMATION
FINISH	NICKEL	ALL SURFACES ARE TO BE FREE OF BURRS, PITS & SCRATCHES
MODEL	50P-XXXX	TOLERANCES
DESCRIPTION	PROGRAMMABLE ATTENUATOR	.XX±.010 .XXX±.005 XX°±.5°
		DWG #
		092-5765-09