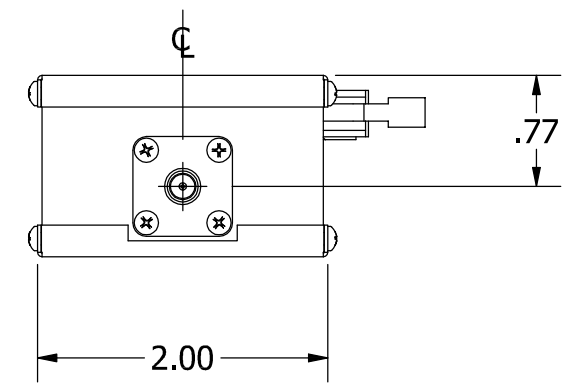
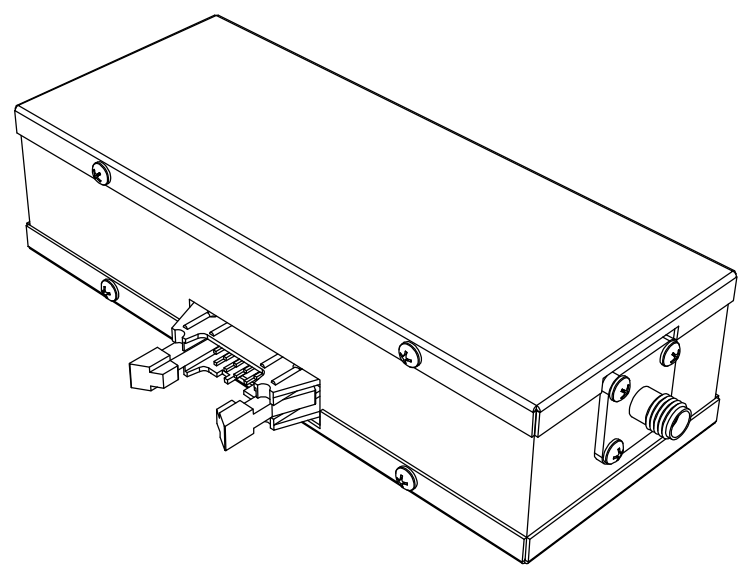


DETAIL A  
3M# 3793-5303

PIN	FUNCTION
1	1 dB TTL CONTROL
2	2 dB TTL CONTROL
3	4 dB TTL CONTROL
4	8 dB TTL CONTROL
5	16 dB TTL CONTROL
6	32 dB TTL CONTROL
7	64 dB TTL CONTROL
8	NO CONNECTION
9	+5 Vdc
10	GROUND



REV	ECN	DATE	BY	APPR
-	ISSUED	2-1-08	BZ	TEZ
A	24444	9-17-15	JZ	TEZ



**JFW INDUSTRIES, INC.**

www.jfwindustries.com PH: 317-887-1340

MATERIAL	BRASS	PROPRIETARY INFORMATION
FINISH	NICKEL	ALL SURFACES ARE TO BE FREE OF BURRS, PITS & SCRATCHES
MODEL	50P-XXXX	SCALE 3/4
DESCRIPTION	PROGRAMMABLE ATTENUATOR	TOLERANCES .XX±.010 .XXX±.005 XX°±.5°
		DWG# 092-5702-01