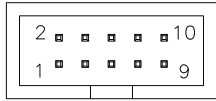
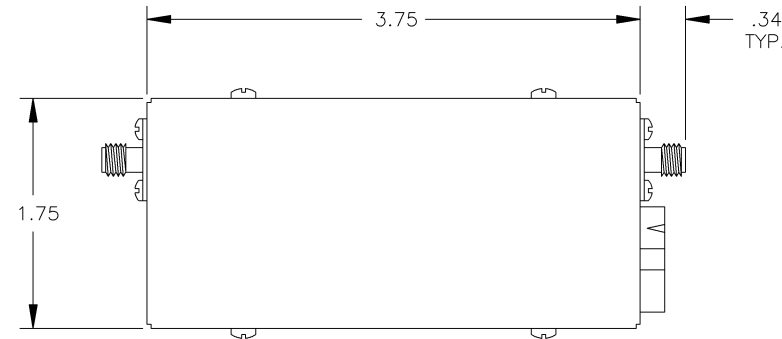
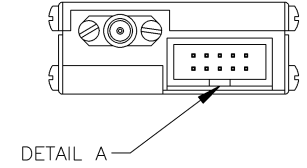
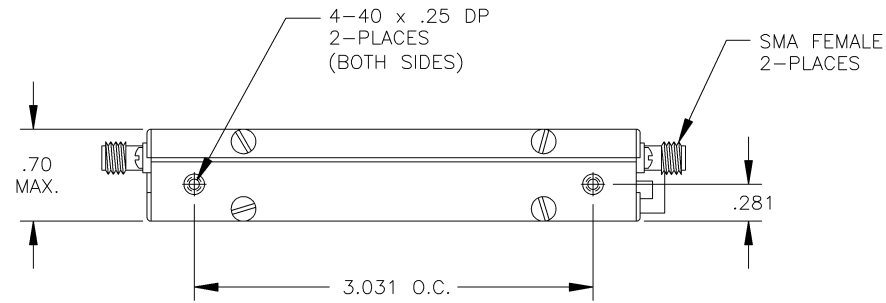
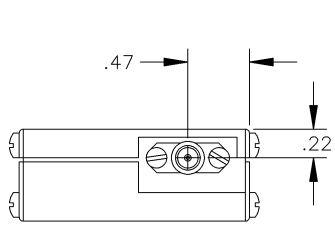


UNCONTROLLED DRAWING



DETAIL A
T&B #609-1057

PIN	FUNCTION
1	1dB TTL CONT.
2	2dB TTL CONT.
3	4dB TTL CONT.
4	8dB TTL CONT.
5	16dB TTL CONT.
6	32dB TTL CONT.
7	NO CONNECTION
8	NO CONNECTION
9	+Vdc
10	GROUND

		JFW INDUSTRIES, INC. INDIANAPOLIS, IN		PROPRIETARY INFORMATION ALL SURFACES ARE TO BE FREE OF BURRS, PITS, & SCRATCHES	
				TOLERANCES FRACTIONAL DIM. ± 1/64 2 PLACE DECIMAL ± .010 3 PLACE DECIMAL ± .005 ANGULAR DIM. ± 1/2 °	
REV	EDN	DATE	BY	DRAWN BY T. ZEISS DATE 2-22-08	SCALE FULL
				APP'D BY MATERIAL BRASS FINISH NICKEL	
				DESCRIPTION 50P-XXXX: PROG. ATTEN.	DWG NO. 092-5728-01