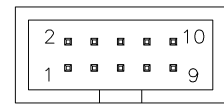
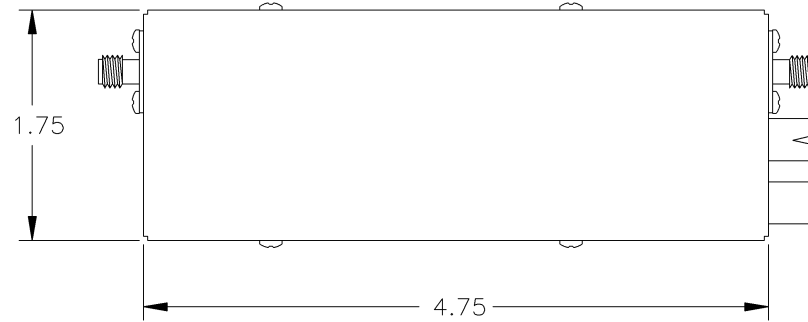
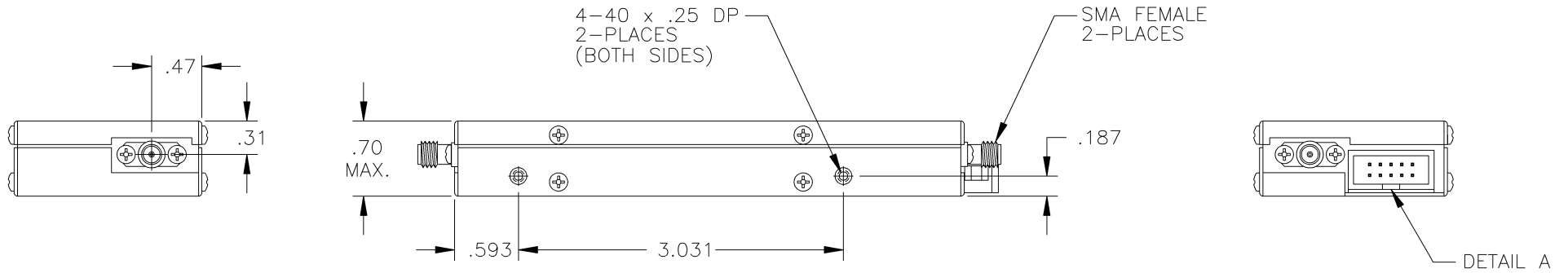


UNCONTROLLED DRAWING



DETAIL A
T&B #609-1057

PIN	FUNCTION
1	1 dB TTL CONT.
2	2 dB TTL CONT.
3	4 dB TTL CONT.
4	8 dB TTL CONT.
5	16 dB TTL CONT.
6	32 dB TTL CONT.
7	64 dB TTL CONT.
8	-5 Vdc
9	+5 Vdc
10	GROUND

				JFW INDUSTRIES, INC. INDIANAPOLIS, IN		PROPRIETARY INFORMATION	
						ALL SURFACES ARE TO BE FREE OF BURRS, PITS, & SCRATCHES	
REV	EDN	DATE	BY	DRAWN BY T. ZEISS	DATE 5-2-08	TOLERANCES	
				APP'D BY	SCALE FULL	FRACTIONAL DIM. : 1/64	
				MATERIAL BRASS		2 PLACE DECIMAL : .010	
				FINISH NICKEL		3 PLACE DECIMAL : .005	
				DESCRIPTION 50P-XXXX: PROG. ATTEN.		ANGULAR DIM. : 1/2 °	
						DWG NO. 092-5410-02	