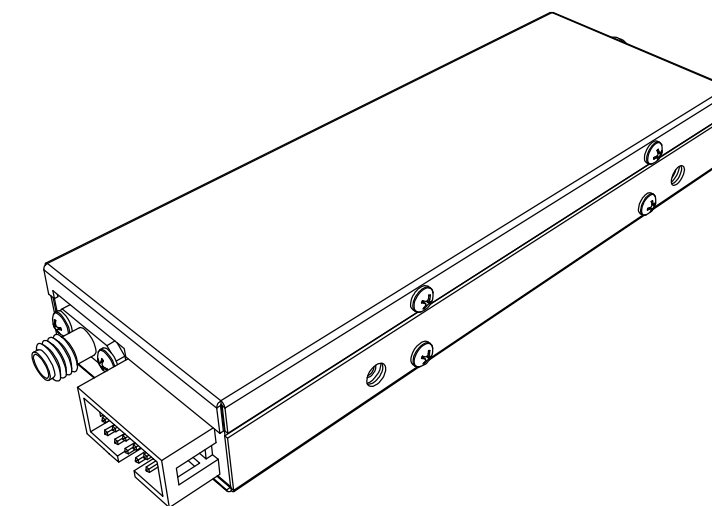
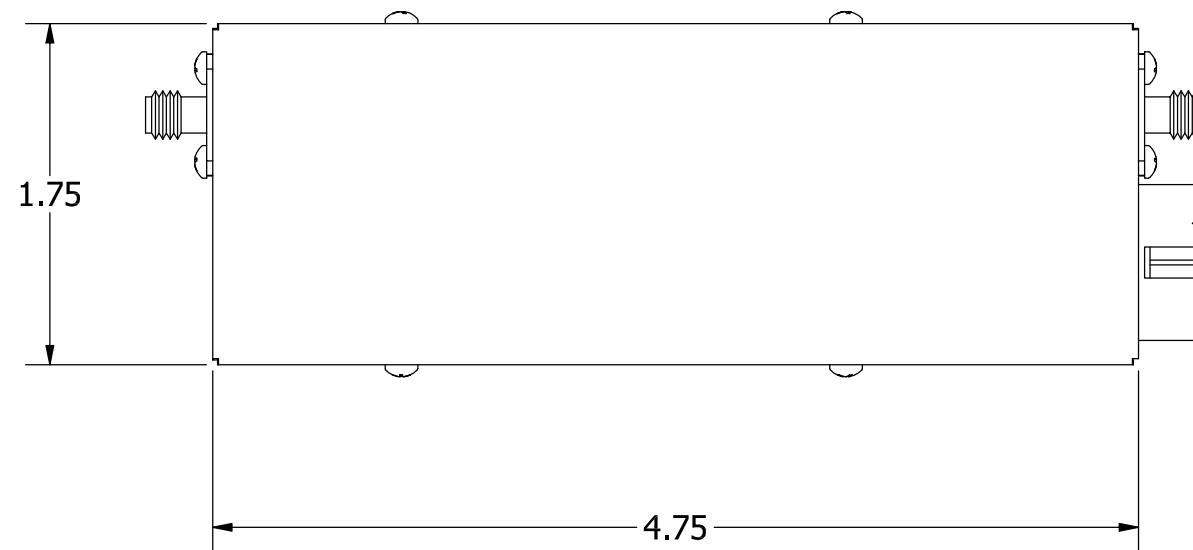


DETAIL A
T&B #609-1057



| PIN | FUNCTION |
|-----|-----------------|
| 1 | 1 dB TTL CONT. |
| 2 | 2 dB TTL CONT. |
| 3 | 4 dB TTL CONT. |
| 4 | 8 dB TTL CONT. |
| 5 | 16 dB TTL CONT. |
| 6 | 32 dB TTL CONT. |
| 7 | 64 dB TTL CONT. |
| 8 | NO CONNECTION |
| 9 | +5 Vdc |
| 10 | GROUND |

| REV | ECN | DATE | BY | APPR |
|-----|--------|---------|-----|------|
| - | ISSUED | 5-2-08 | TEZ | TRS |
| A | 24444 | 9-17-15 | JZ | TEZ |
| | | | | |
| | | | | |
| | | | | |
| | | | | |
| | | | | |
| | | | | |
| | | | | |
| | | | | |



JFW INDUSTRIES, INC.

www.jfwindustries.com

PH: 317-887-1340

| | | |
|-------------|-------------------------|--|
| MATERIAL | BRASS | PROPRIETARY INFORMATION |
| FINISH | NICKEL | ALL SURFACES ARE TO BE FREE OF BURRS, PITS & SCRATCHES |
| MODEL | 50P-XXXX | TOLERANCES .XX±.010 .XXX±.005 XX°±.5° |
| DESCRIPTION | PROGRAMMABLE ATTENUATOR | DWG # 092-5410-01 |